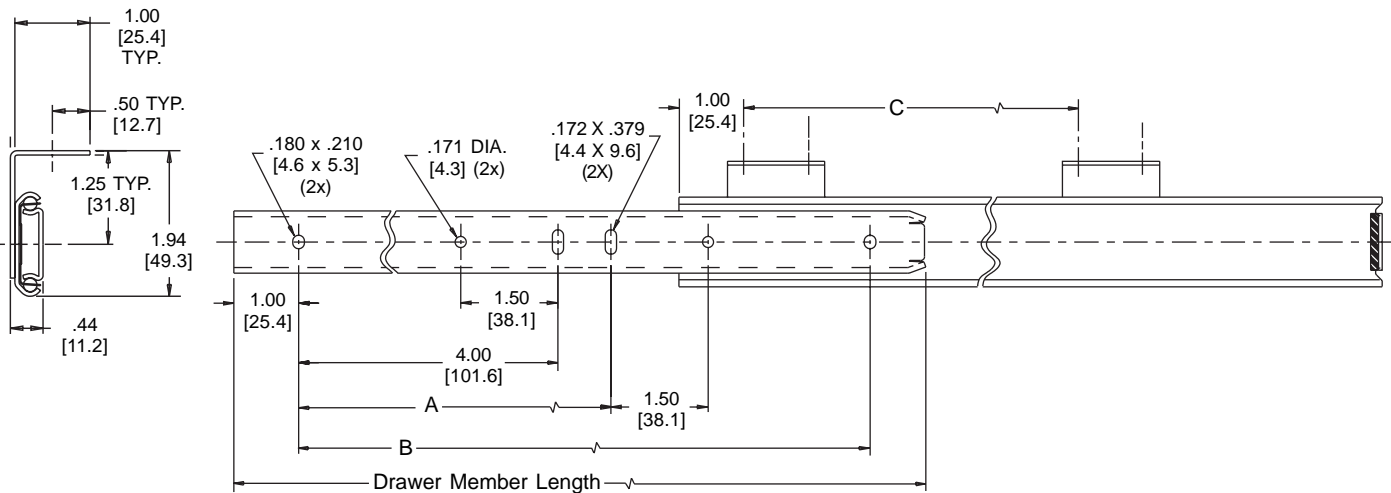
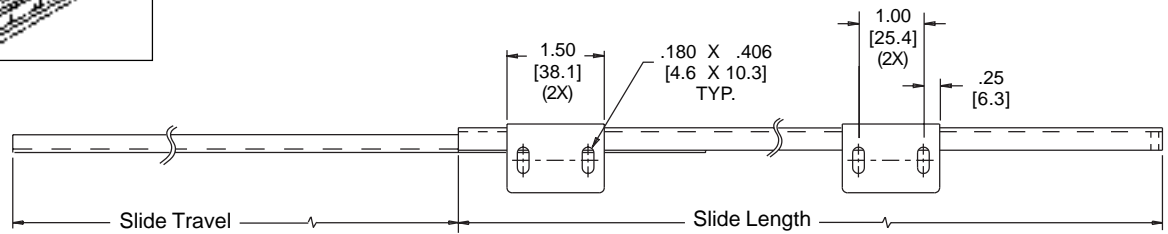
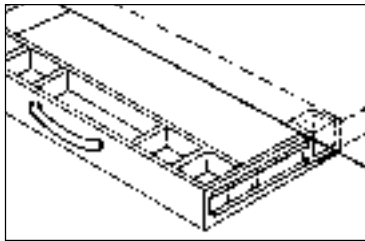


APPLICATIONS: For use in pencil and shallow drawers underneath a desk or table tops without a supporting sidewall structure. Fixed height, inboard facing brackets.

Pencil Drawer
Under Counter Slide
Up to 45 lb. [20 kg.] Capacity



Finish Bright electro-zinc (C) or black zinc* (CB)

Length 12" to 28" [305mm to 711mm]

Height 1.94" [49.3mm]

Load Up to 45 lbs.** [20kg]

Travel 3/4 Extension

Mounting Drawer: Side mounted
Under Surface: Fixed height
inboard brackets

Hardware #8 pan head screws

Disconnect Friction

Features Handed; simple bracket installation

Part Number	Slide Length	Travel	Drawer Member Length	A	B	C
2006-12	12.00 [304.8]	9.00 [228.6]	11.81 [300.0]	5.95 [151.1]	9.95 [252.7]	8.50 [215.9]
2006-14	14.00 [355.6]	11.00 [279.4]	13.81 [350.7]	7.95 [201.9]	11.95 [303.5]	8.50 [215.9]
2006-16	16.00 [406.4]	12.00 [304.8]	15.81 [401.6]	9.95 [252.7]	13.95 [354.3]	8.50 [215.9]
2006-18	18.00 [457.2]	13.50 [342.9]	17.81 [452.4]	11.95 [303.5]	15.95 [405.1]	8.50 [215.9]
2006-20	20.00 [508.0]	15.00 [381.0]	19.81 [503.2]	13.95 [354.3]	17.95 [455.9]	8.50 [215.9]
2006-22	22.00 [558.8]	16.50 [419.1]	21.81 [554.0]	15.95 [405.1]	19.95 [506.7]	16.50 [419.1]
2006-24	24.00 [609.6]	17.50 [444.5]	23.81 [604.8]	17.95 [455.9]	21.95 [557.5]	16.50 [419.1]
2006-26	26.00 [660.4]	19.00 [482.6]	25.81 [655.6]	19.95 [506.7]	23.95 [608.3]	16.50 [419.1]
2006-28	28.00 [711.2]	20.00 [508.0]	27.81 [706.4]	21.95 [557.5]	25.95 [659.1]	16.50 [419.1]

* Minimum order quantities may apply.

** Load rating based on an 18" slide on a 16" wide drawer cycled 50,000 times.

Installation Instructions

Drawer Member

1. Locate the screw holes for the drawer member 1-1/8" [28.6mm] below the top of the drawer face to provide 1/8" [3.2mm] clearance between the top of the drawer face and the bottom of the desk top.
2. Position the front of the slide members 1/8" [3.2mm] behind the rear of the drawer face. Insert screws. See Figure 1.

Cabinet Member

1. Install the cabinet members using the angled mounting brackets to the underside of the desk top (work surface).
2. Position the front of the cabinet members 1/8" [3.2mm] behind the rear of the closed drawer face. See Figure 2.
3. The location of the screws for each mounting bracket is the total drawer width "W" minus 1/4" [6.4mm]. Insert screws. See Figure 3.

Slide Ordering Instructions

Complete your slide order for model 2006 by specifying the following:

Required Slides	100 Pair	C	2006	-18	D
Slide Finish					
Slide Model					
Slide Length					
Optional Polybag Packaging					

Packaging

Distributor (D) Pack: Polybag packaging includes one pair of slides and mounting screws. All lengths are packaged 10 pair per box.

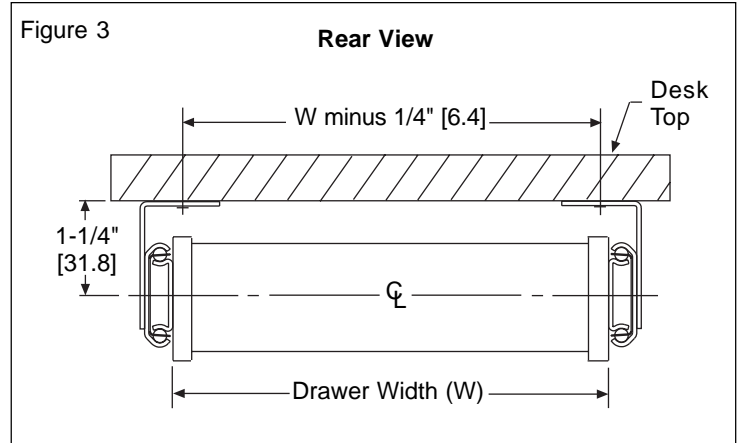
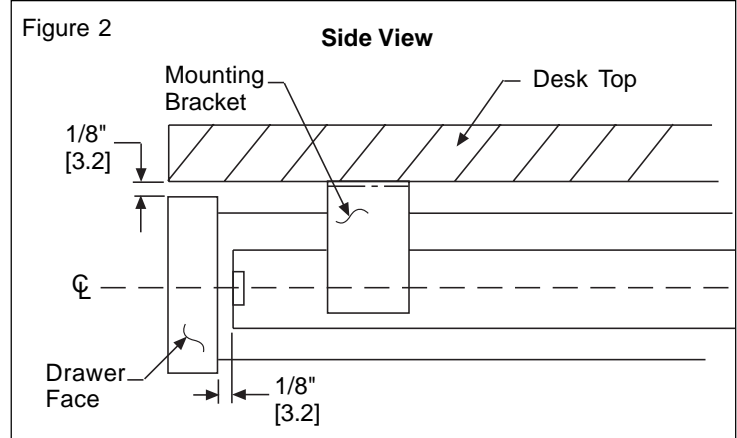
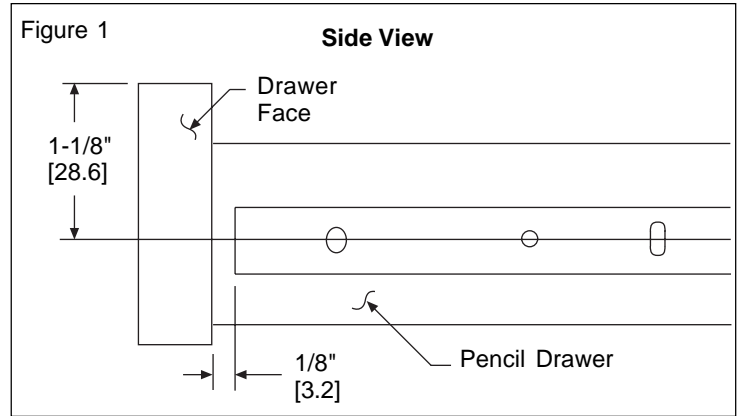
Bulk (P) Pack: Slides only. Left hand slides and right hand slides are packaged in separate boxes.

Lengths 12" - 22"	30 each per box
Lengths 24" - 28"	20 each per box

Specifications

Slide members and ball retainers: Cold rolled steel
Ball bearings: Carburized steel

Note: Specifications, materials, prices, terms, and delivery are subject to change without notice.



Accuride

ACCURIDE INTERNATIONAL INC.

12311 Shoemaker Avenue
Santa Fe Springs, CA 90670

TEL (562) 903-0200
FAX (562) 903-0208

www accuride.com

Manufacturing, Engineering, and Sales

United States • Germany • Japan • Mexico • United Kingdom