

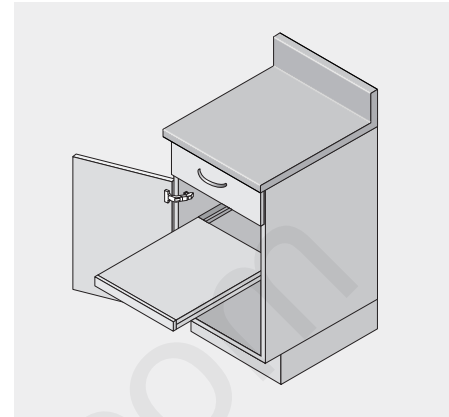
Application



Description

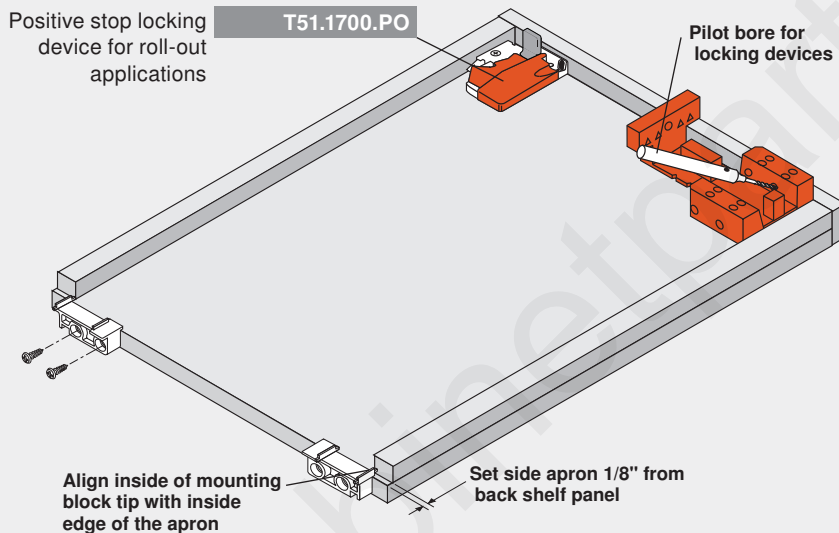
- For min. **16 (5/8")** drawer side material and TANDEM 552H or 562H series runners
- Dynamic weight capacity of 75 lb

Basic components



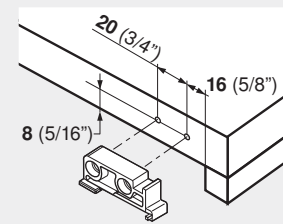
Components

Tray assembly



Note: Tray length = specified runner length minus **10 (3/8")**

Rear mounting block

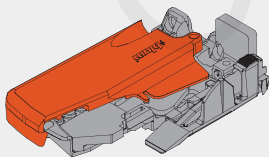


Attach rear mounting block to the back of the tray instead of notching and boring.

- Eliminates the need to edge bore holes for hooks on roll-outs
- Min. **16 (5/8")** material
- Can be used with 552H and 562H TANDEM runners

| | |
|---------------------|---------------------|
| Rear mounting block | T51.7000 |
| Installation screws | 606N or 606P |

Positive stop locking device

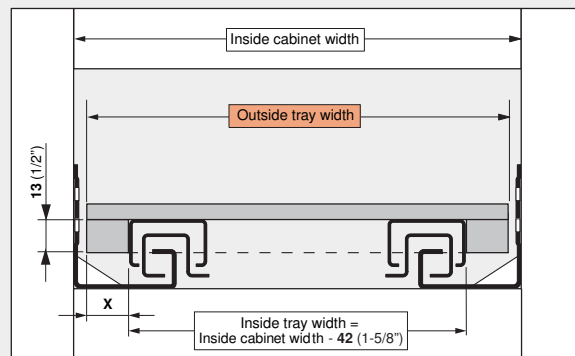


For use when a precise stopping position is required.

- One right and one left required per drawer
- For interior roll out applications
- Height adjustable **+3 (1/8")**
- For use with 552 / 562

| | | |
|----------------|---------------------|----------------------|
| Installation | Right | T51.1700.PO R |
| | Left | T51.1700.PO L |
| page 14 | Installation screws | 612TH |

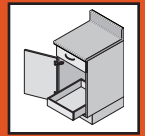
Tray size and position in opening



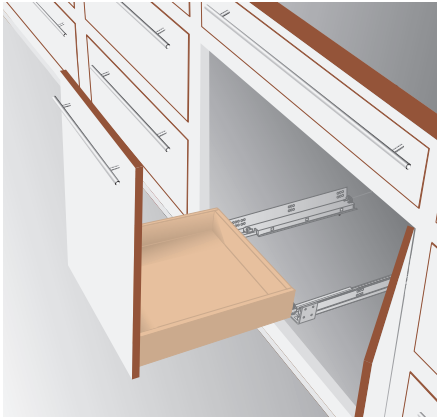
Formula for calculating outside tray width for H series

| | | | | | |
|----------------------------------|------------------|--------------------|-------------------|------------------|--------------------|
| Apron thickness (X) | 16 (5/8") | 15 (19/32") | 14 (9/16") | 13 (1/2") | 12 (15/32") |
| Deduct from inside cabinet width | 10 (3/8") | 12 (15/32") | 14 (9/16") | 16 (5/8") | 18 (23/32") |

Bottom mount drawer



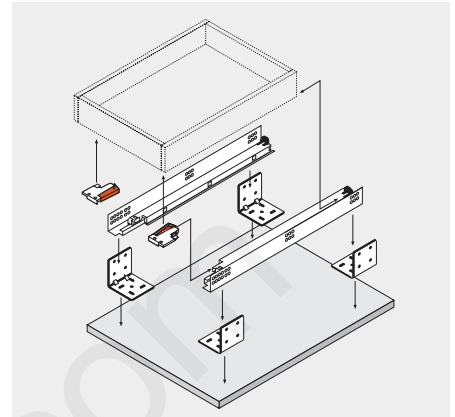
Application



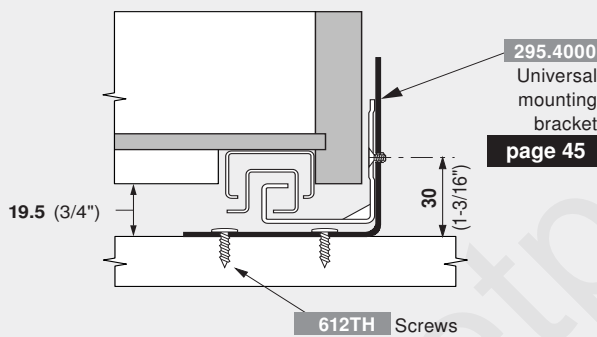
Description

- Possible with any TANDEM runners
- Dynamic weight capacity of 75 lb regular or 110 lb heavy duty

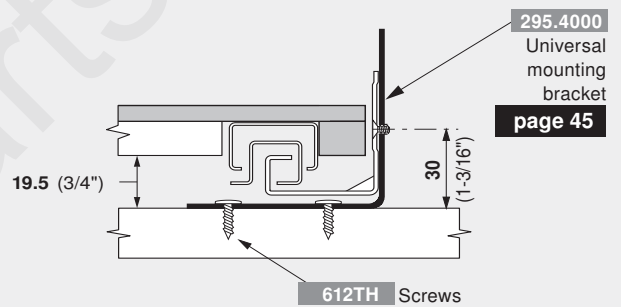
Basic components



Drawer bottom mount installation



Roll-out tray bottom mount installation



Dual mount application

