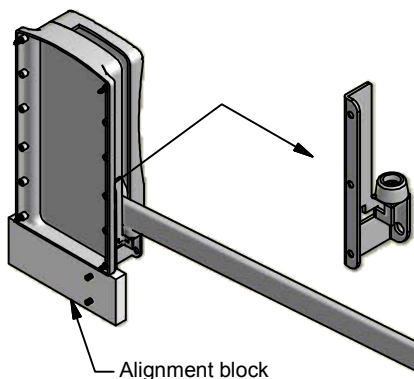


WARDROBE LIFT Instruction Sheet

STEP 1.

Attach LH & RH Mounting Box to the Cabinet Sides using #8x20mm Flat Head Screws. Attach bumper brackets(LH & RH) to both sides by using the longer #8x26mm flat head screws.



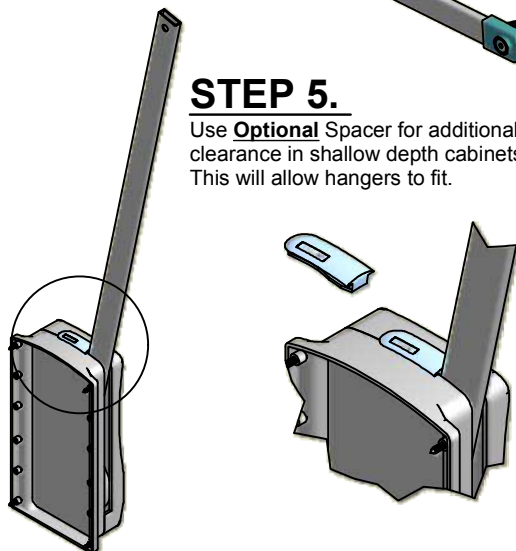
STEP 4.

Adjust the Wardrobe Rail length and twist it to lock it. After adjusted to desired width, tighten M8 screws in STEP 3.



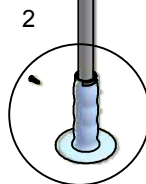
STEP 5.

Use **Optional** Spacer for additional clearance in shallow depth cabinets. This will allow hangers to fit.



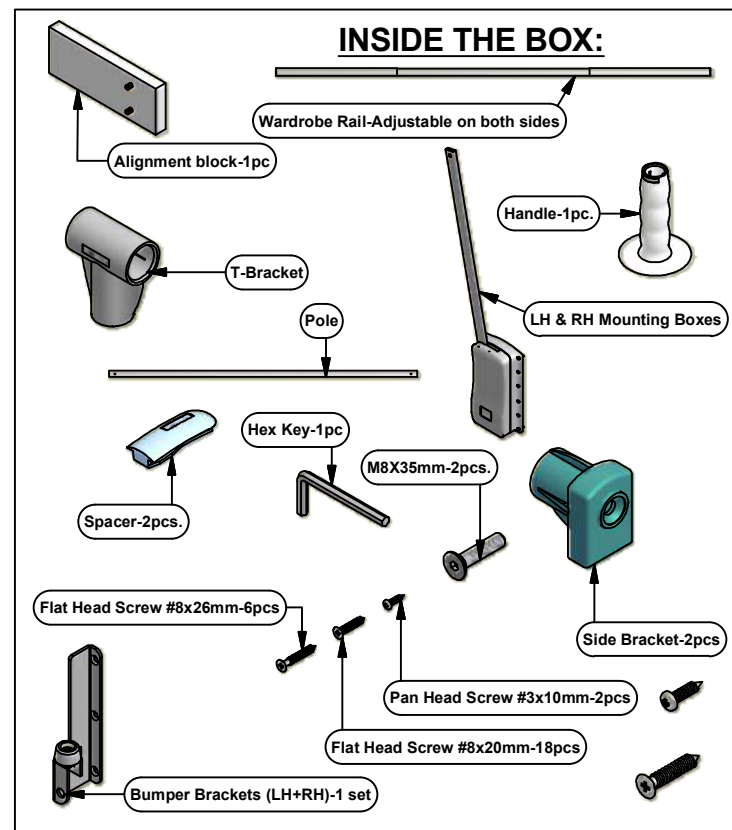
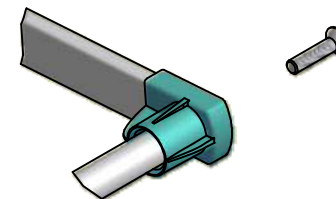
STEP 2

Attach the T-Bracket + Handle to Pole using #3x10mm Pan Head Screws

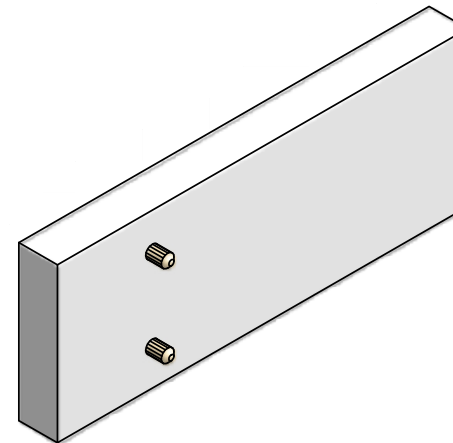
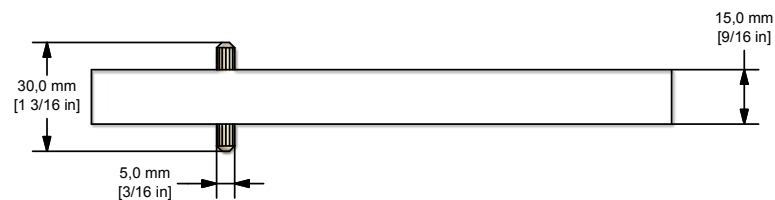
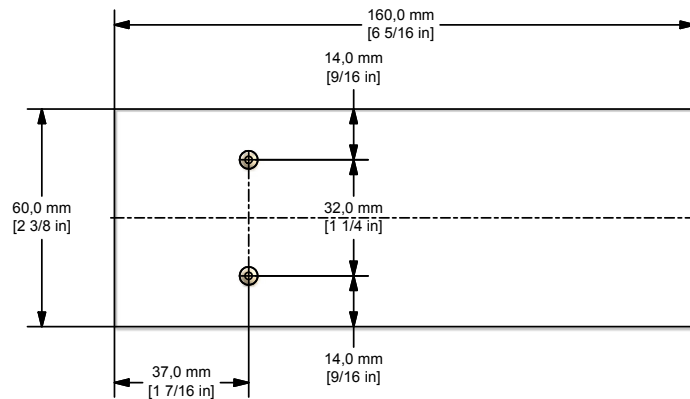


STEP 3.

Attach the Side Supports to the Adjustable Wardrobe Rail with M8X35mm Bolts by using the Hex Key and loosely tighten.



Alignment block
(1 : 2)



Alignment Block:

It is very important to install the Mounting Boxes in the same location (height and set-back) on the adjacent side panels. This simple block can be used as a jig to assure Mounting Boxes are mounted at the same height.

1. Install wooden dowels in to holes.
2. Insert Block in to the line holes on side panels directly below where Mounting Boxes are to be mounted.
3. Place Mounting Boxes directly on this block, measure set-back and affix with attachment screws.
4. Transfer this block to the other side and repeat.

Notes:

- This jig will only assist if 32mm line holes are present.
- This jig will only help with height location. As set-backs vary, please take care to accurately measure the same set-back on both side panels.

Installation tips:

Install both Mounting Boxes in the same location on adjacent side panels:

Please take special care to mount the Mounting Boxes in the same location (set-back and height) on each panel. This will avoid the lift from racking or binding allowing lift to perform correctly. See included Alignment Block which is used in conjunction with line holes to assure Mounting Boxes are installed at the same height. Be sure the set-back of Mounting Boxes is accurately measured and is the same on both sides.

- Be sure to use all Mounting Screws to assure a strong attachment to side panels.
- Be sure to install Bumper Brackets on both sides.

Adjustable Wardrobe rail needs to be locked:

Once the Mounting Boxes are mounted to the side panels and the Adjustable Wardrobe Rail is extended to the proper width, twist the outer sleeves of the Adjustable Wardrobe Rail in opposite directions to **lock in the width**.

Over or under extending the width of the Wardrobe rail may create binding with the vertical arms. (See step 4 in the mounting instructions)

Not locking the width may also cause the Wardrobe rail to bend or bow.

Bumper Brackets:

Be certain Bumper Brackets are mounted on both sides before operating lift. Failure to do so will cause damage to the plastic Mounting Boxes. (See step 1 in the mounting instructions).

Operating tips:

Cycle the lift. Once the lift is installed, cycle the unit three to five times to loosen the pistons to allow for smooth operation.

Handle pole needs to be located in the center of the Wardrobe rail and pulled straight down and not at an angle. This will avoid binding and ensure proper operation of the lift. Pre-installed O-rings keep the T-Bracket in position.

Assist the lift when lowering. When lowering the lift, assist the Handle Pole until the vertical arms rest on the Housing Bumpers. Letting the lift drop on its own may cause damage to the housing.

Distribution and Weight Limit: Loading the lift with more weight than the weight limit will cause damage to the lift. Distribute weight of clothes evenly across the Wardrobe Rail to avoid “racking”.

Load/weight Limit of the wardrobe lifts:

| | | |
|--------------------------------|---|--|
| 26 lbs (12 kg) Item numbers | Chrome 805.31.201 805.31.202 805.31.203 | Black 805.31.301 805.31.302 805.31.303 |
| 33 lbs (15 Kg) Item numbers | Chrome 805.31.223 | Black 805.31.323 |