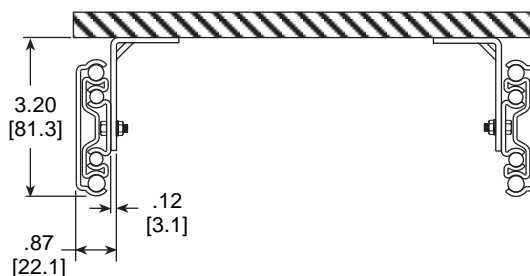
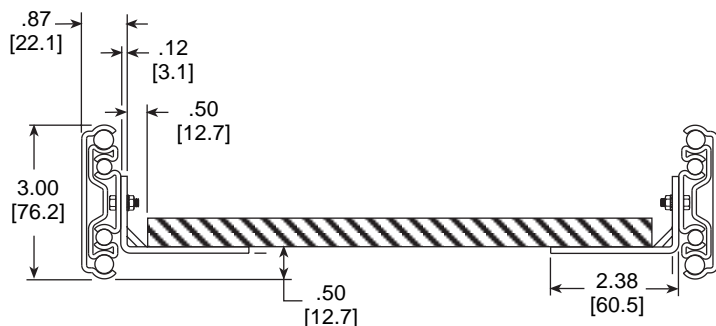
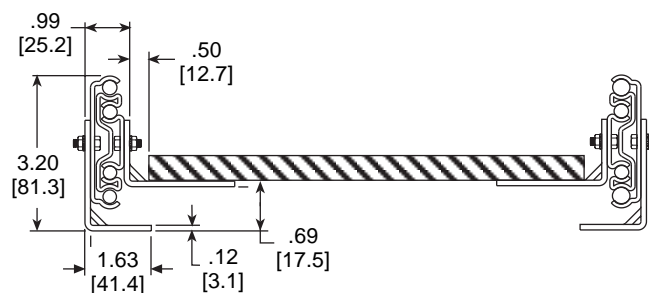
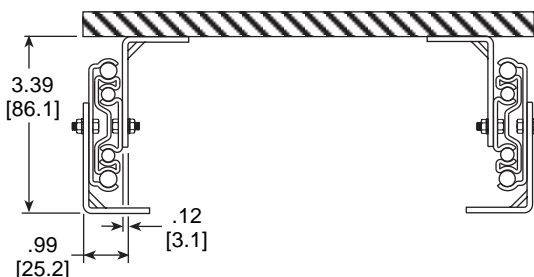
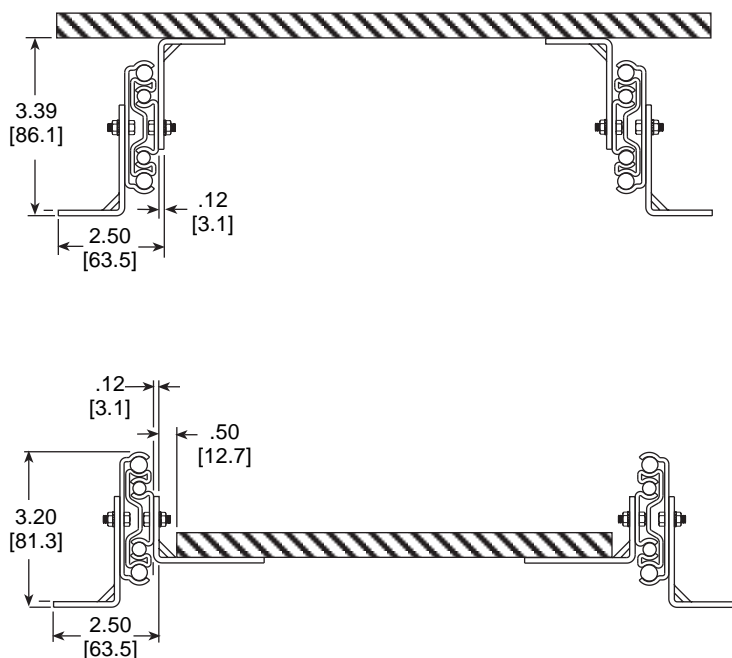


**APPLICATIONS:** Use on pantry pullouts, RV luggage platforms, storage trays, and TV or entertainment unit platforms. Optional accessory bracket kits adapt the standard 9301 into platform slides. Brackets provide 4 bottom and 2 side mount configurations.

### Side-Mount Slide Mounts to Side of Cabinet



### Bottom-Mount Bracket Mounts to Top or Bottom of Cabinet



NOTE: Dimensions shown for reference only.

inches  
[mm]

<b>Finish</b>	Bright electro-zinc (C) only	<b>Bracket Lengths</b>	12.00" [304.8mm] 16.00" [406.4mm] 22.00" [558.8mm] 28.00" [711.2mm]
<b>Load Rating</b>	Drawers up to 18" [457mm] wide 500 lbs. [227 kg.] per pair* Drawers up to 42" [1067mm] wide 350 lbs. [160 kg.] per pair**	<b>Height</b>	Slide only - 3.00" [76.2mm] Slide and bracket depending upon bracket configuration 3.00" [76.2mm] 3.20" [81.3mm] 3.39" [86.1mm]
<b>Hardware</b>	1/4" X 5/8" [6.4mm X 15.9mm] hex head screw, 1/4" [6.4mm] hex head nuts and lock washers		
<b>Features</b>	Unhanded bracket design		

\* Load rating based on 18" slides with 18" wide drawer cycled 10,000 times. \*\* Load rating based on 18" slide with 42" wide drawer cycled 75,000 times.

## Bracket Information

The unhandled bracket allows for 6 mounting combinations: 4 platform bottom mount options and 2 side mount options. See front page for illustrations.

In order to minimize inventory requirements, four bracket lengths have been designed to be used either individually or in combination to cover all slide lengths.

### Slide Lengths

#### 12" through 32"

1 kit to side mount, 2 kits to bottom mount.

#### 34" through 36"

2 kits (same part number) required for side mount, 4 kits (same part number) for bottom mount.

#### 40" 42", 48", and 60"

2 kits (different part numbers) to side mount, 4 kits (2 different part numbers) to bottom mount.

To determine the number of bracket kits required for each slide length, refer to the chart at the right.

### Example:

To **side** mount model C9301-48, order:

- 1 of kit part number 4180-0471-XE, and
- 1 of kit part number 4180-0474-XE.

To **bottom** mount model C9301-48, order:

- 2 of kit part number 4180-0471-XE, and
- 2 of kit part number 4180-0474-XE.

9301 Accessory Bracket Kits									
Bracket Kit Part Number	12" Bracket 4180-0471-XE		16" Bracket 4180-0472-XE		22" Bracket 4180-0473-XE		28" Bracket 4180-0474-XE		
	Slide Part Number	Side Mount	Bottom Mount	Side Mount	Bottom Mount	Side Mount	Bottom Mount	Side Mount	Bottom Mount
<b>C 9301-12</b>	1	2							
C 9301-14	1	2							
<b>C 9301-16</b>			1	2					
C 9301-18			1	2					
<b>C 9301-20</b>			1	2					
C 9301-22					1	2			
<b>C 9301-24</b>					1	2			
C 9301-26					1	2			
<b>C 9301-28</b>							1	2	
C 9301-30							1	2	
<b>C 9301-32</b>							1	2	
C 9301-34	2	4							
<b>C 9301-36</b>	2	4							
C 9301-40	1	2			1	2			
<b>C 9301-42</b>	1	2			1	2			
C 9301-48	1	2					1	2	
<b>C 9301-60</b>					1	2	1	2	

## Bracket Kit Ordering Instructions

Complete your order for model 9301 accessory bracket kits by specifying the following:

Example: Kits needed for 1 pair, C9301-48, bottom mounted.

2 Each	4180-0471-XE
2 Each	4180-0474-XE
Total Bracket Kits Required _____	
Bracket Kit Part Numbers _____	

## Packaging

Each accessory bracket kit contains hardware to mount brackets to the slides. Kit includes two brackets, four 1/4" hex head screws, four 1/4" hex head nuts, and lock washers packaged in a polybag. *Customer supplies hardware to mount brackets to base and/or platform/drawer.*

Bracket kits are packaged 4 each per box.

## Specifications

Brackets: Cold rolled steel

**Note:** Specifications, materials, prices, terms, and delivery are subject to change without notice.

# Accuride

ACCURIDE INTERNATIONAL INC.

12311 Shoemaker Avenue  
Santa Fe Springs, CA 90670

TEL (562) 903-0200

FAX (562) 903-0208

www accuride.com

Manufacturing, Engineering, and Sales

United States • Germany • Japan • Mexico • United Kingdom