

**18" TILT-OUT HAMPER**  
**300.3144.BLK**

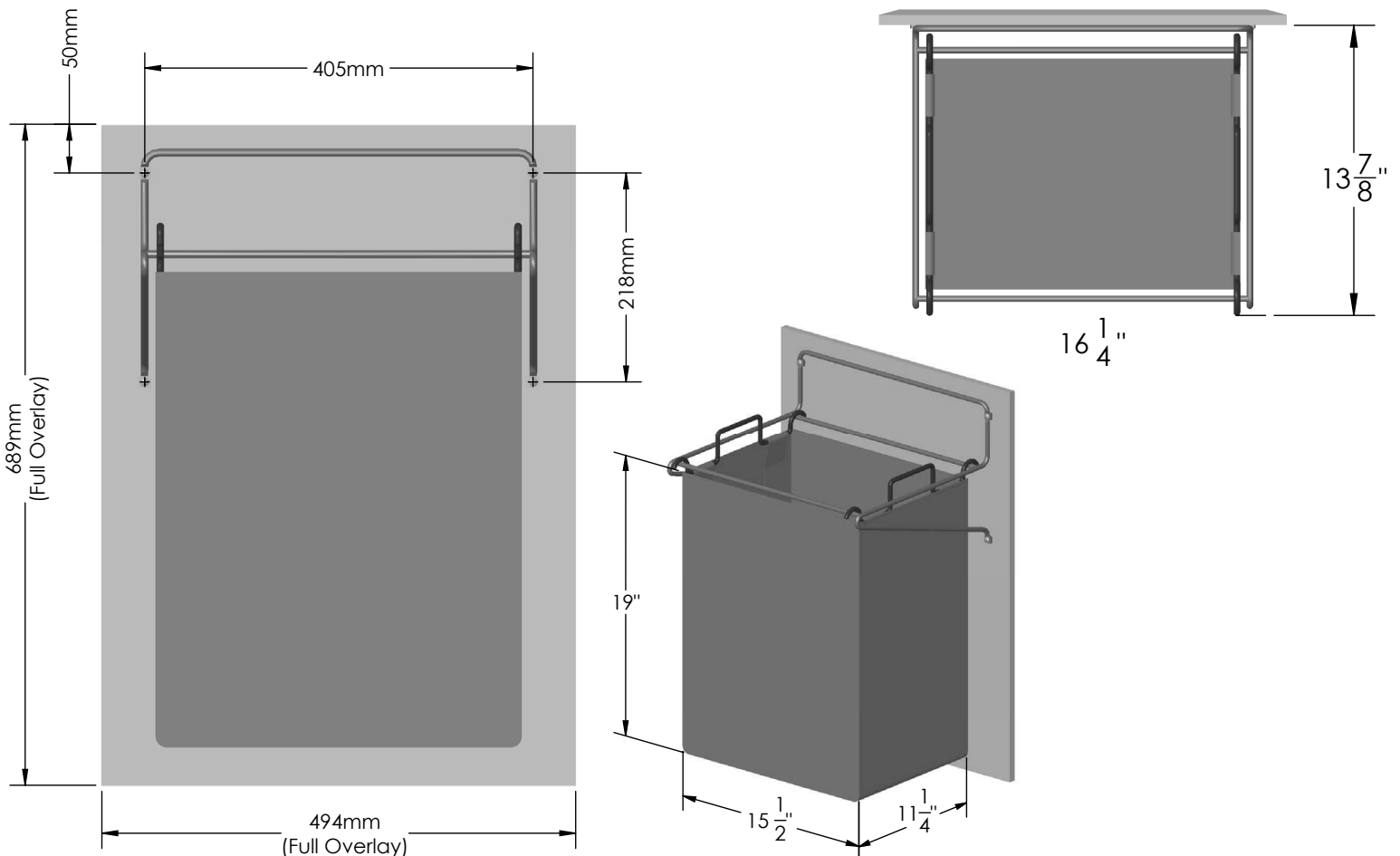
**DESCRIPTION & SPECIFICATIONS**

Keep your laundry behind closed doors with this enclosed 18" Tilt-Out laundry hamper designed to mount on the back of a tilt door.

SIZE & CAPACITY | 18" w 1 Large Hamper Bag (Black)

AVAILABLE FINISHES | ●

Black.



**INSTRUCTIONS & SPECIFICATIONS**

- STEP 1: Align Tilt-Out Hamper frame on the back panel to be used.
- STEP 2: Install on the panel using four wood screws.
- STEP 3: Drop the hamper bag into the frame.
- Four (4) #8 Pan Head Wood Screws are required to mount.

FINISH	CODE (FIN)
Black	BLK

**24" TILT-OUT HAMPER**  
**300.3145.BLK**

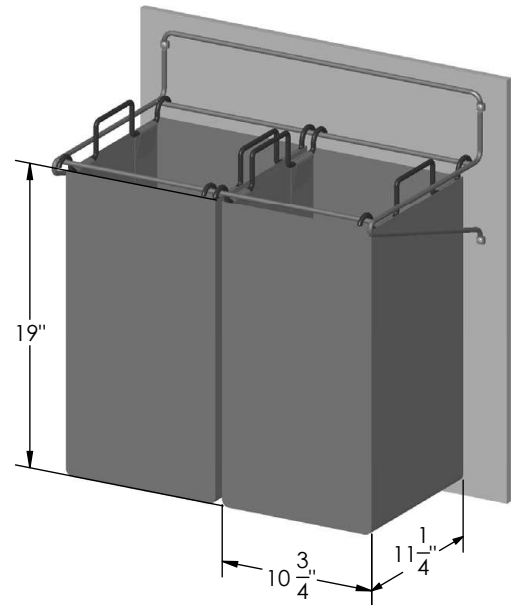
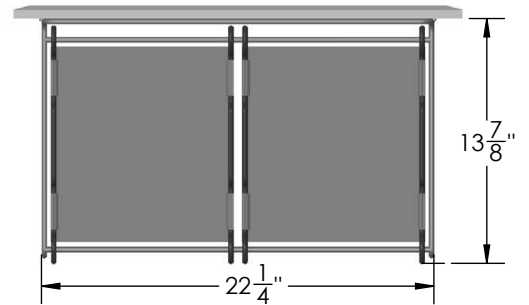
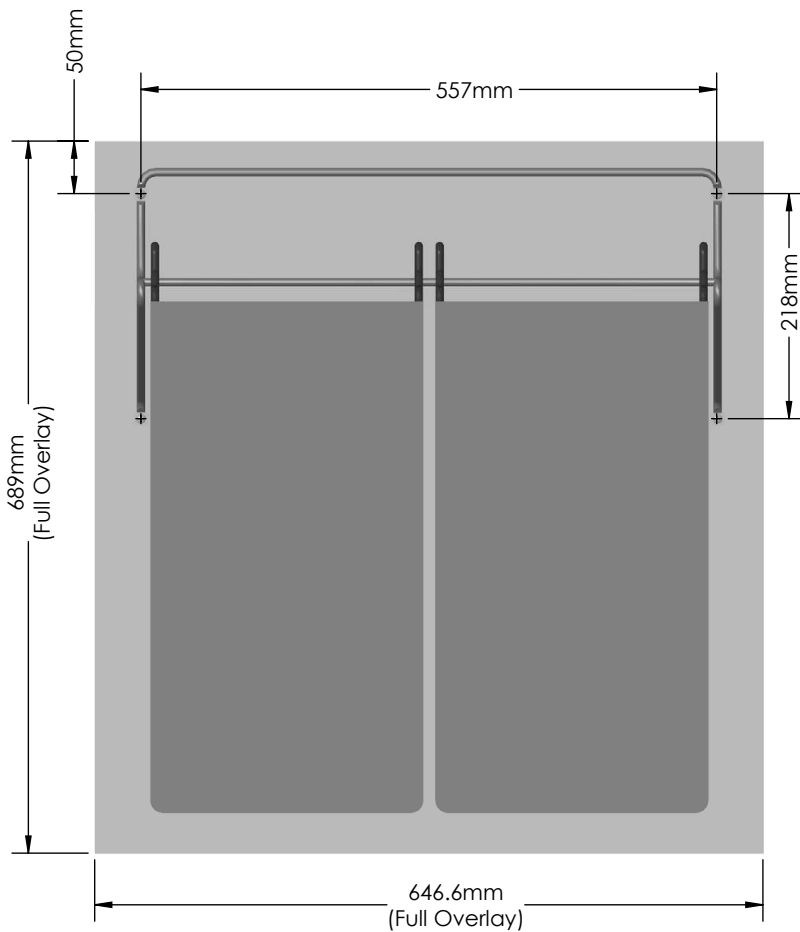
**DESCRIPTION & SPECIFICATIONS**

Keep your laundry behind closed doors with this enclosed 24" Tilt-Out laundry hamper designed to mount on the back of a tilt door.

SIZE & CAPACITY | 24" w 2 Small Hamper Bags (Black)

AVAILABLE FINISHES | ●

Black.



**INSTRUCTIONS & SPECIFICATIONS**

- STEP 1: Align Tilt-Out Hamper frame on the back panel to be used.
- STEP 2: Install on the panel using four wood screws.
- STEP 3: Drop the hamper bag into the frame.

- Four (4) #8 Pan Head Wood Screws are required to mount.

FINISH	CODE (FIN)
Black	BLK

**30" TILT-OUT HAMPER**  
**300.3146.BLK**

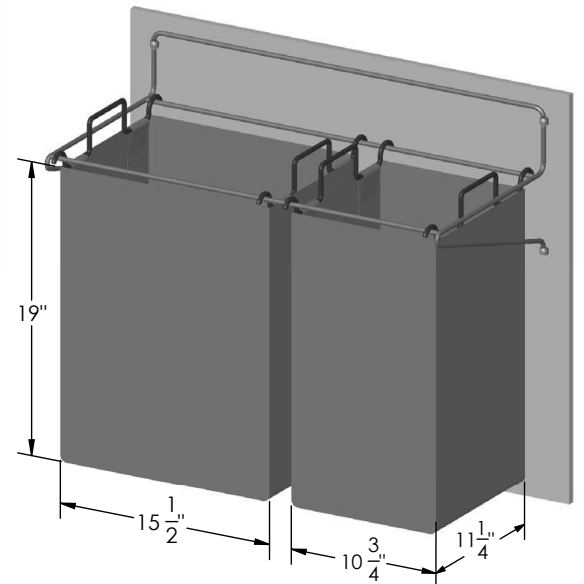
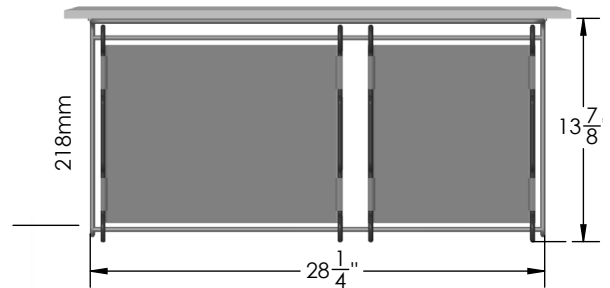
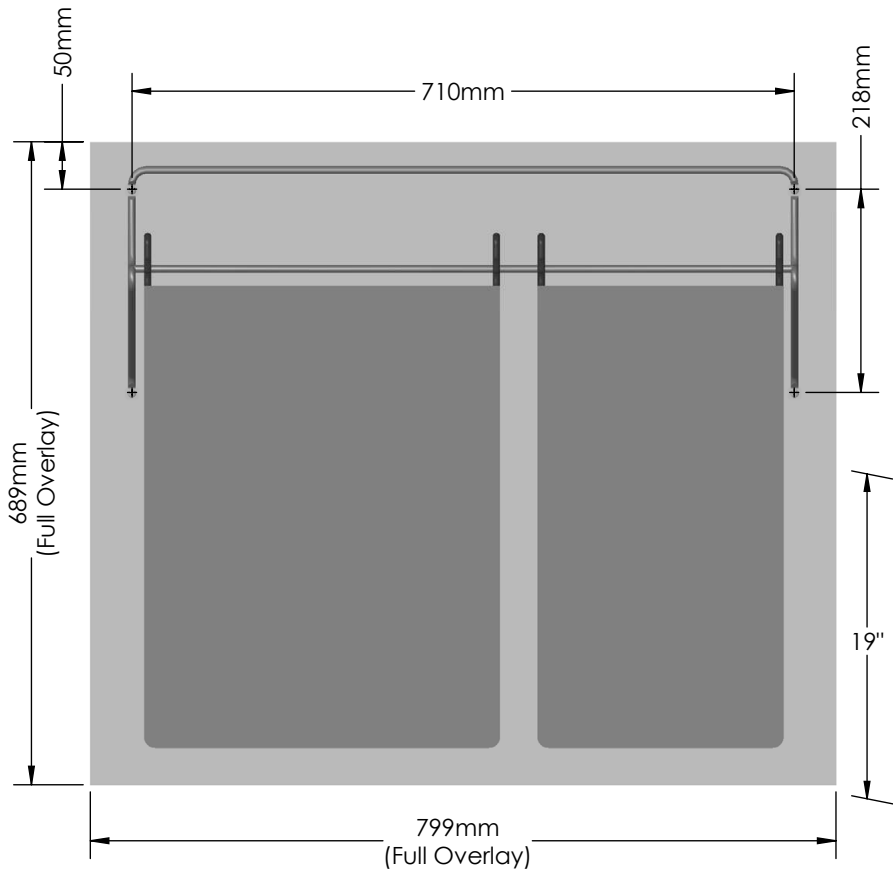
**DESCRIPTION & SPECIFICATIONS**

Keep your laundry behind closed doors with this enclosed 30" Tilt-Out laundry hamper designed to mount on the back of a tilt door.

**SIZE & CAPACITY** | 30" w 1 Large & 1 Small Hamper Bag (Black)

**AVAILABLE FINISHES** | ●

Black.



**INSTRUCTIONS & SPECIFICATIONS**

- STEP 1: Align Tilt-Out Hamper frame on the back panel to be used.
- STEP 2: Install on the panel using four wood screws.
- STEP 3: Drop the hamper bag into the frame.

- Four (4) #8 Pan Head Wood Screws are required to mount.

FINISH	CODE (FIN)
Black	BLK