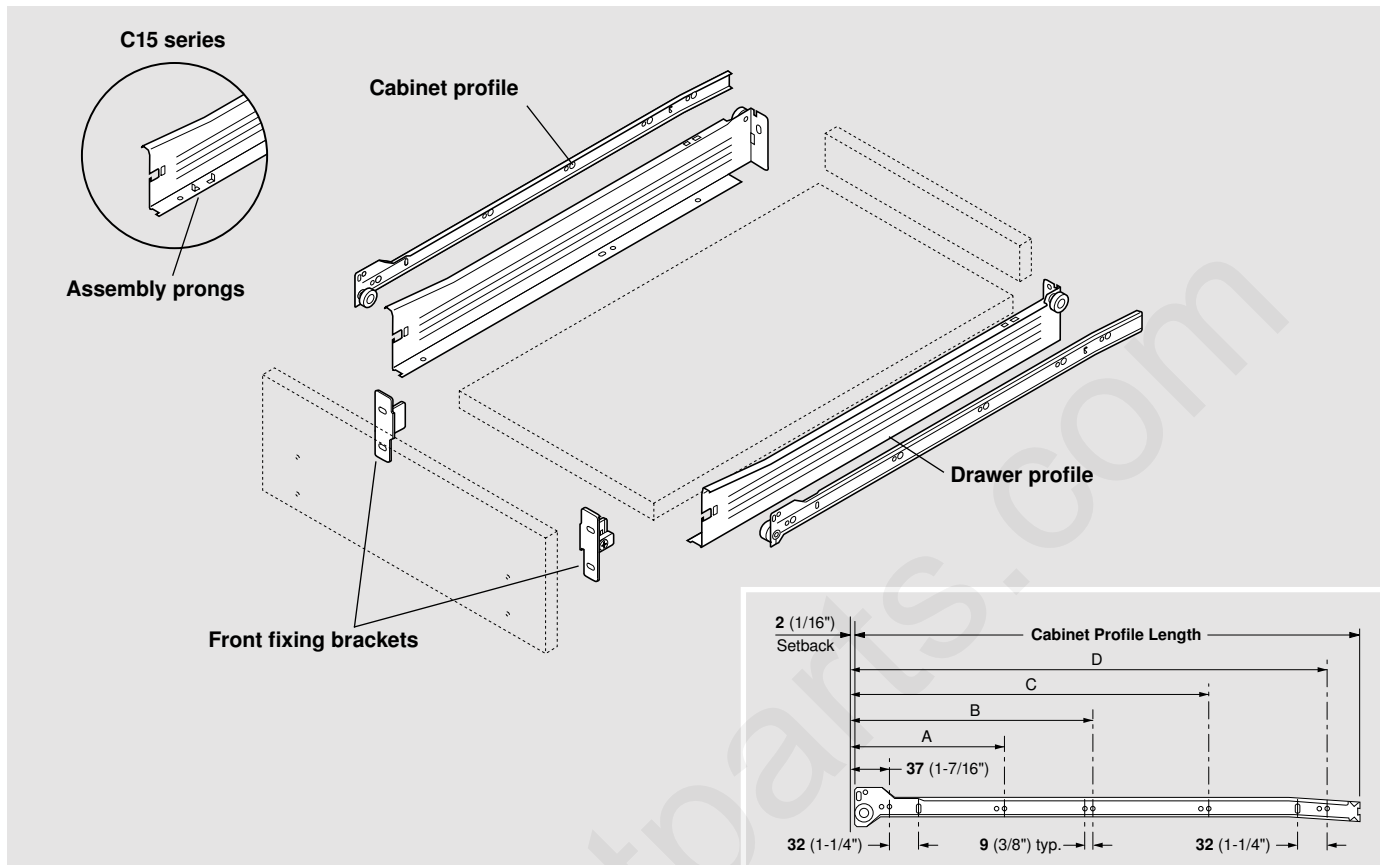


# METABOX 320N drawer series

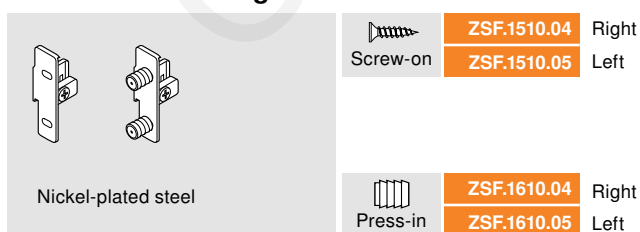
## Drawer components

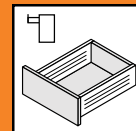


## Runner sets (includes cabinet and drawer profiles)

C series cream or white	C15 series white	Nominal Length	Min. cabinet Inside depth	Cabinet & drawer Profile length	System screw mounting hole positions			
					A	B	C	D
320N5500C	320N5500C15	(22")	557 (21-7/8")	550 (21-5/8")	165 (6-1/2")	261 (10-1/4")	389 (15-5/16")	517 (20-3/8")
320N5000C	320N5000C15	(20")	507 (19-15/16")	500 (19-11/16")	165 (6-1/2")	261 (10-1/4")	389 (15-5/16")	453 (17-13/16")
320N4500C	320N4500C15	(18")	457 (17-15/16")	450 (17-11/16")	165 (6-1/2")	261 (10-1/4")	389 (15-5/16")	-
320N4000C	320N4000C15	(16")	407 (16")	400 (15-3/4")	165 (6-1/2")	261 (10-1/4")	357 (14-1/16")	-
320N3500C	320N3500C15	(14")	357 (14")	350 (13-3/4")	165 (6-1/2")	261 (10-1/4")	325 (12-13/16")	-
320N2700C		(11")	277 (10-7/8")	270 (10-5/8")	229 (9")	-	-	-

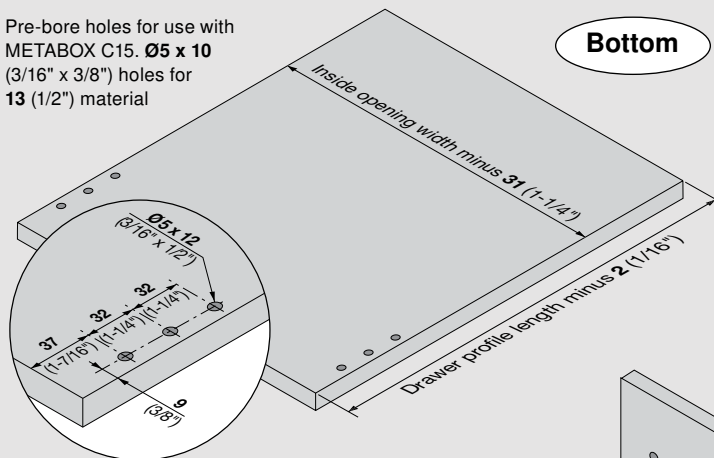
## Standard front fixing bracket



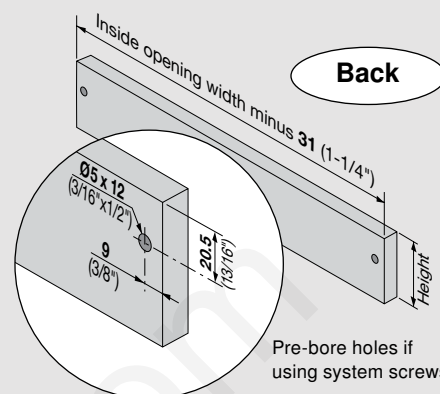


## Component specifications

Pre-bore holes for use with METABOX C15.  $\text{Ø}5 \times 10$  (3/16" x 3/8") holes for 13 (1/2") material



Bottom

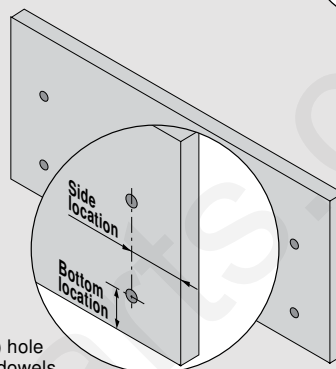


Back

Pre-bore holes if using system screws

Profile length	Bottom length
550 (21-5/8")	548 (21-9/16")
500 (19-11/16")	498 (19-5/8")
450 (17-11/16")	448 (17-5/8")
400 (15-3/4")	398 (15-11/16")
350 (13-3/4")	348 (13-11/16")
270 (10-5/8")	268 (10-9/16")

Front



Bore  $\text{Ø}10 \times 12$  ( $\text{Ø}3/8" \times 1/2"$ ) hole for front fixing brackets with dowels (Determine locations from specifications below, or see page 38 for pre-determined overlays)

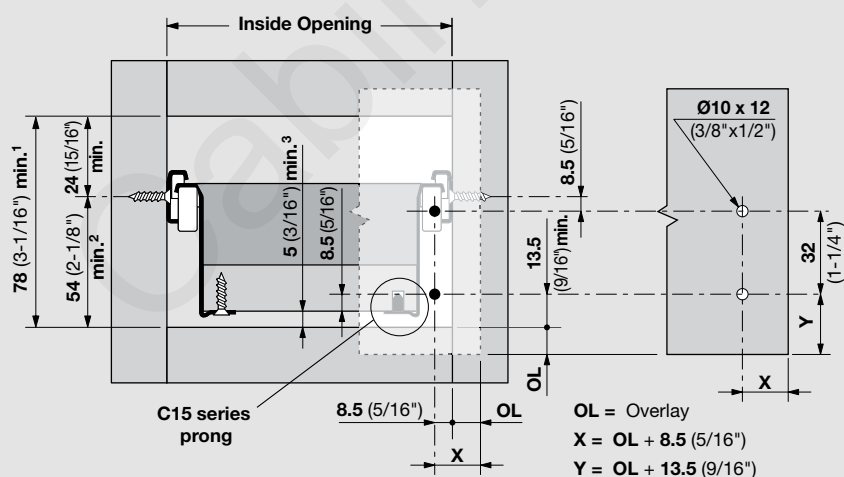
Drawer bottom thickness	Back height
13 (1/2")	42 (1-5/8")
16 (5/8")	39 (1-9/16")
19 (3/4")	36 (1-7/16")

## Installation specifications

Drawer

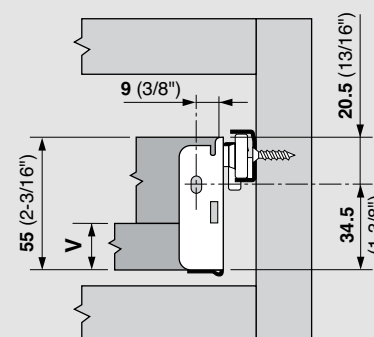
Front

Back



C15 series prong

OL = Overlay  
 $X = \text{OL} + 8.5$  (5/16")  
 $Y = \text{OL} + 13.5$  (9/16")



V = Variable bottom thickness minimum 13(1/2") material

For frame cabinet specifications please see page 32

For gallery rail and BOXSIDE specifications see page 19

For interior drawer specifications see page 22

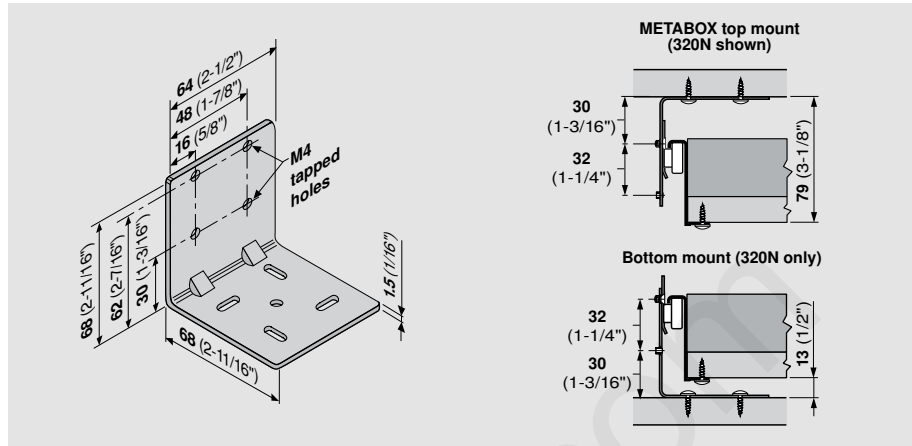


## Universal drawer bracket

For mounting Blum runners to the underside of a counter surface (pencil drawer) or to the floor of a cabinet (roll-out tray).

Attach to cabinet with Blum 612TH screws, #6 x 1/2" truss head  
Zinc coated steel  
Includes (8) M4 x 6 flathead machine screws to attach runners to brackets

**295.4000** Universal bracket kit (set of 4)



## Rear mount sockets

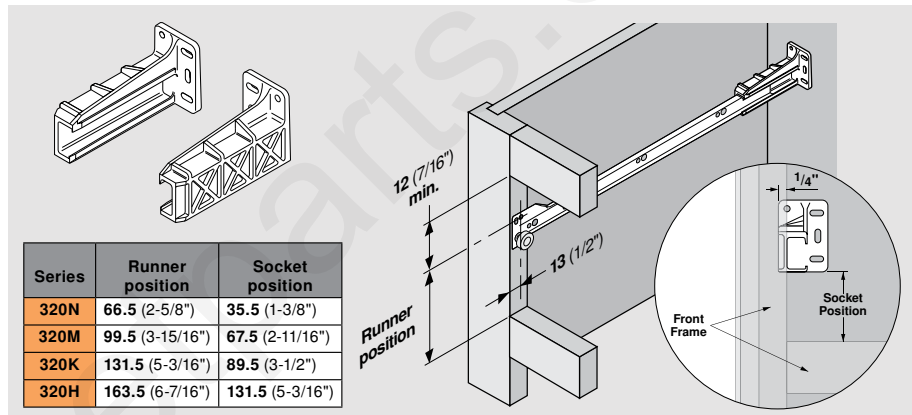
For use with METABOX 320N, M, K, H and all 230M runners in frame cabinets.

Synthetic, cream color

Attach with Blum 612TH screws, #6 x 1/2" trusshead

**602320** Left & right socket set

Cannot be used with METABOX 330 series or in conjunction with POSI-STOP's.

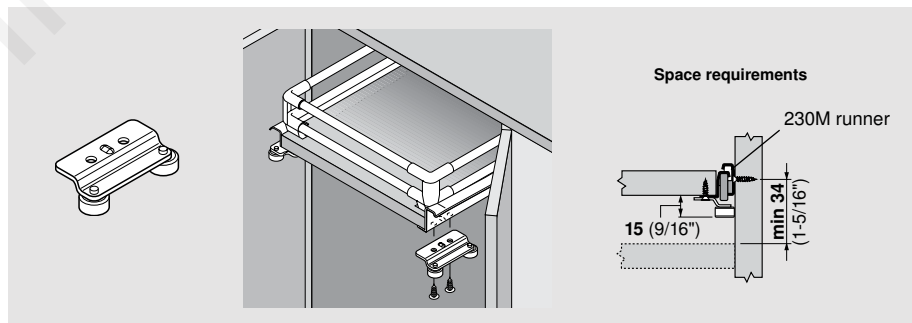


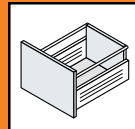
## Door protectors

For pull-out surrounds to prevent damage to doors.

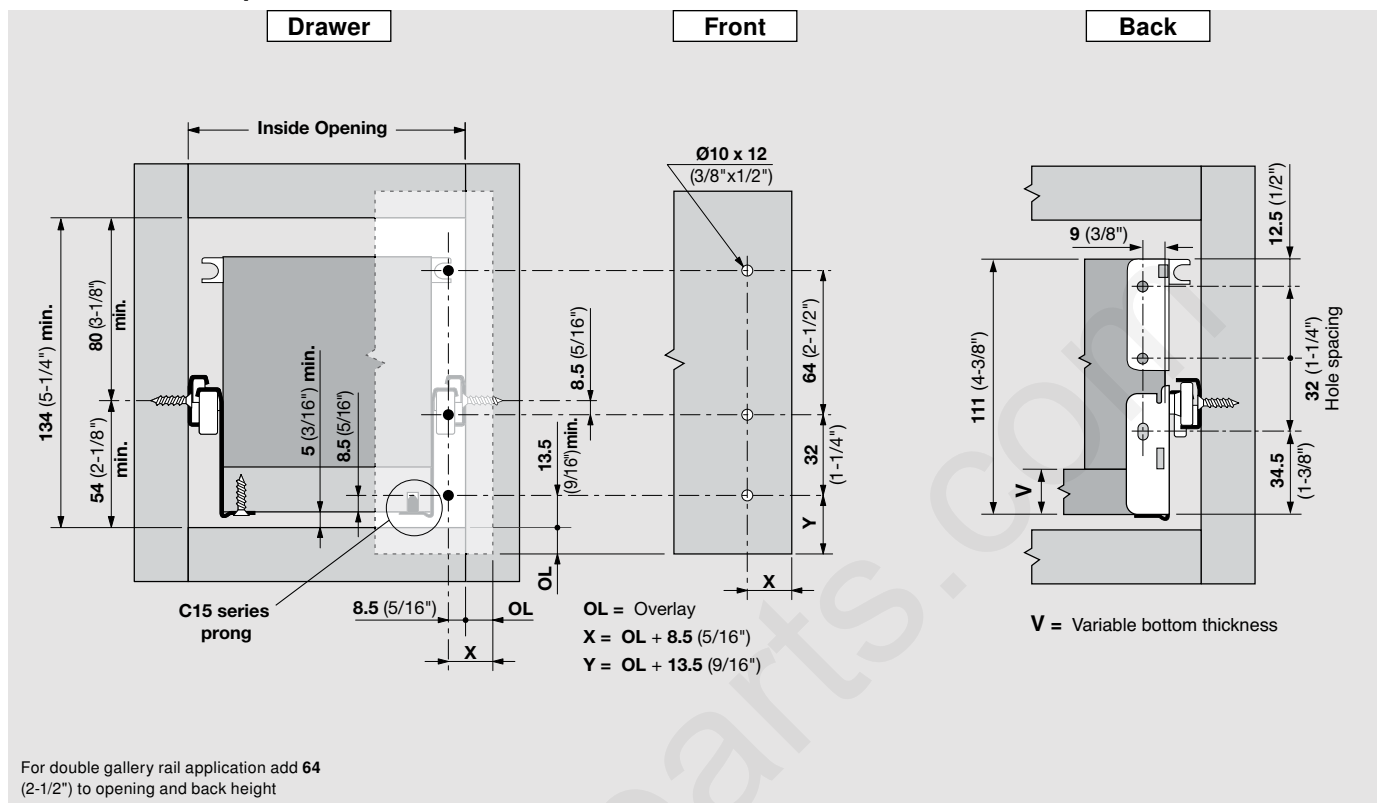
Attaches to the underside of the drawer. For use with 230M runners only. Epoxy coated steel with synthetic rollers, cream color.

**298.2200** Door protector

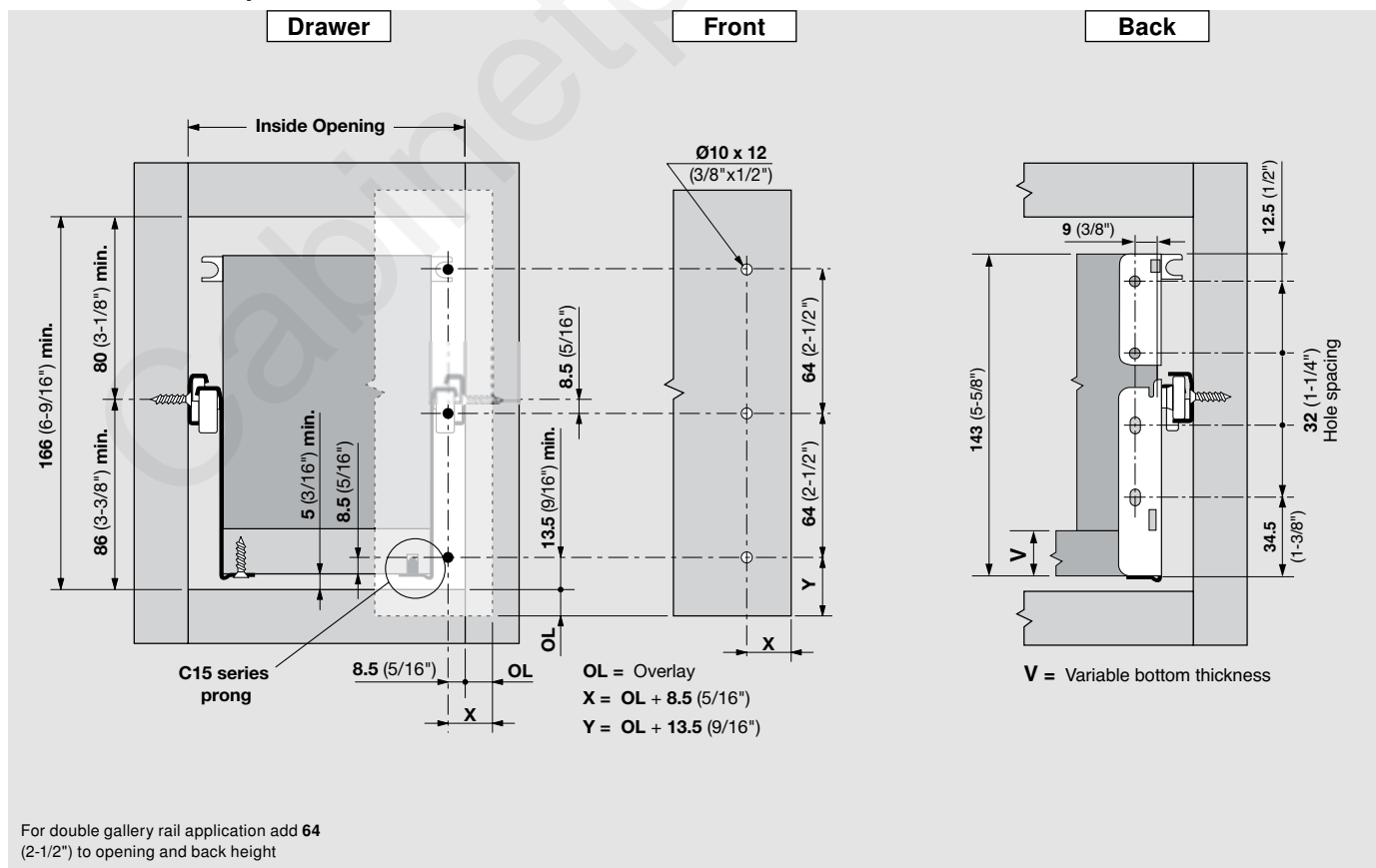




### 320N installation specifications



### 320M installation specifications



# METABOX 320N interior drawer application

## Drawer components

Pre-bore holes for use with METABOX C15 prongs

Interior front fixing brackets

Use 16 (5/8") thickness only

61 (2-3/8")

Inside opening width minus 64 (2-1/2")

Bottom

Inside opening width minus 31 (1-1/4")

Drawer profile length minus 18 (1-1/16")

Profile length	Bottom length
550 (21-5/8")	532 (20-15/16")
500 (19-11/16")	482 (19")
450 (17-11/16")	432 (17")
400 (15-3/4")	382 (15-1/16")
350 (13-3/4")	332 (13-1/16")
270 (10-5/8")	252 (9-15/16")

Front

Back

Inside opening width minus 31 (1-1/4")

Bottom material thickness	Back height
13 (1/2")	42 (1-5/8")
16 (5/8")	39 (1-9/16")
19 (3/4")	36 (1-7/16")

Pre-bore holes if using system screws

Interior front fixing bracket

Screw-on

ZIF.3010.02	Right
ZIF.3010.03	Left

Nylon, white

## Installation specifications

Drawer

Front

Back

Inside Opening

81 (3-3/16") min.

57 (2-1/4") min.

24 (15/16") min.

8 (5/16") min.

49 (1-15/16")

61 (2-3/8")

18.5 (3/4")

8.5 (5/16")

9 (3/8")

32 (1-1/4")

9 (3/8")

20.5 (13/16")

55 (2-3/16")

V

34.5 (1-3/8")

V = Variable bottom thickness