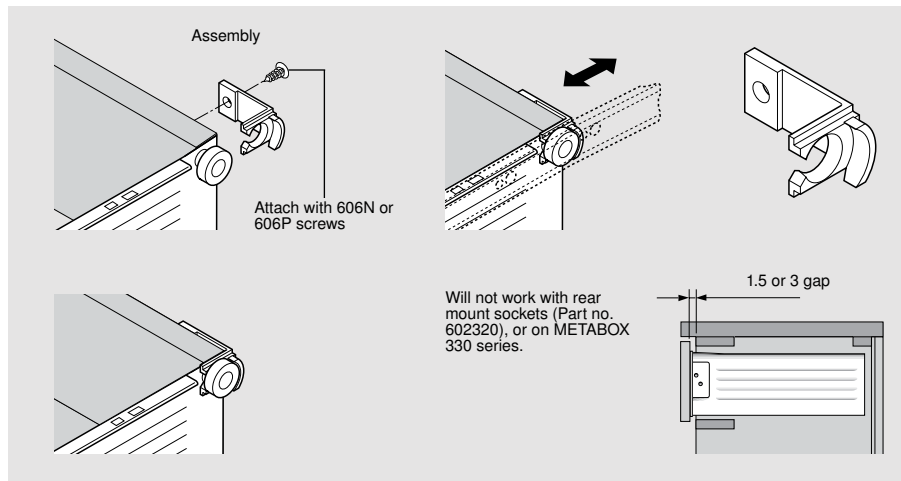


## POSI-STOP



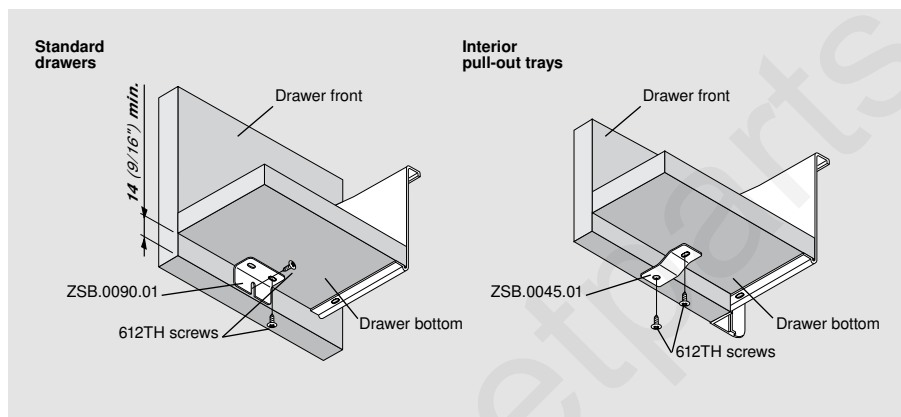
**Add-on device to keep drawer front from contacting the cabinet face.**

Available in thicknesses of  
**1.5 (1/16")** or **3 (1/8")**

Synthetic, natural finish.  
Non-handed, use two per drawer, snap in place and secure with wood screw

- 298.3210.01** 1.5 (1/16") gap
- 298.3230.01** 3 (1/8") gap

## Drawer front support brackets

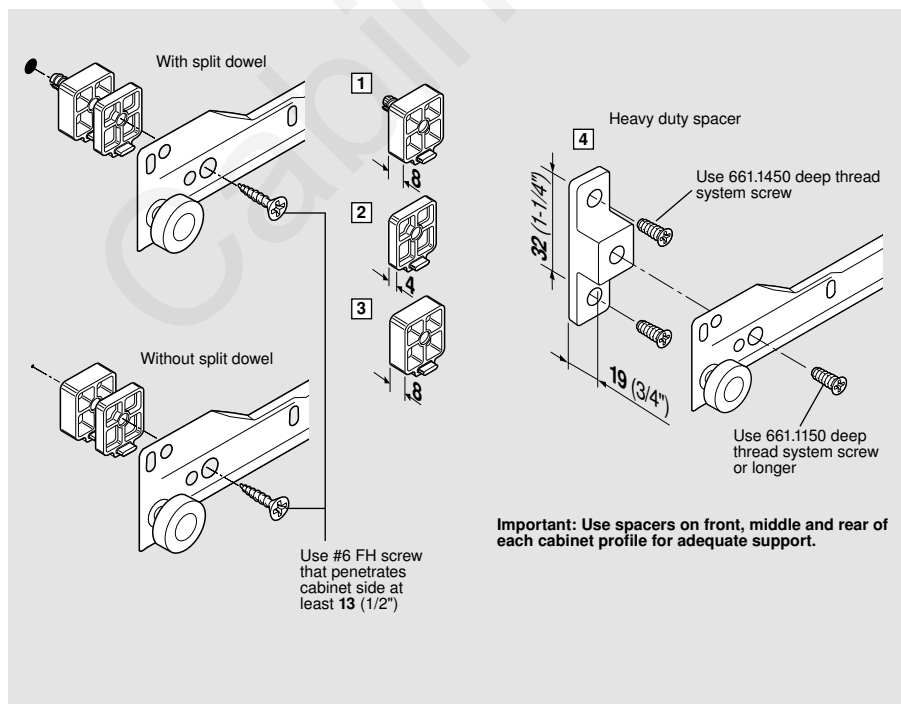


**Add-on brackets for wide drawers to keep the front tight to the drawer bottom.**

Stainless steel  
Attach with 612TH screws  
#6 x 1/2" trushead

- ZSB.0090.01** For standard drawers
- ZSB.0045.01** For interior roll-out trays

## Cabinet profile spacers



**To space runners away from the cabinet side to clear door protrusion for interior roll-out trays.**

Two thicknesses available that can be stacked up to **24 (15/16")**  
Synthetic, cream color

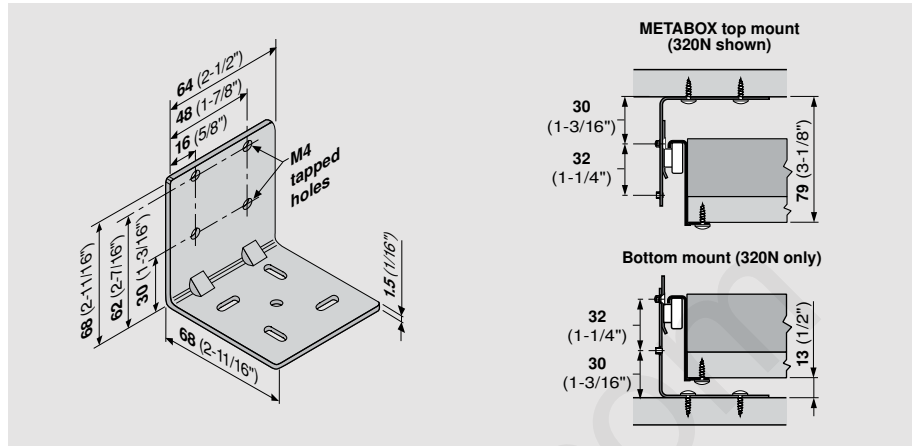
- 1** **320M0188** 8 (5/16") with  $\text{Ø}5$  (3/16") x 11 dowel for linebore mounting
- 2** **320M0048** 4 (5/32") stackable
- 3** **320M0088** 8 (5/16") stackable
- 4** **602750** 32 (1-1/4") x 19 (3/4") Heavy duty synthetic, white color

## Universal drawer bracket

For mounting Blum runners to the underside of a counter surface (pencil drawer) or to the floor of a cabinet (roll-out tray).

Attach to cabinet with Blum 612TH screws, #6 x 1/2" truss head  
Zinc coated steel  
Includes (8) M4 x 6 flathead machine screws to attach runners to brackets

**295.4000** Universal bracket kit (set of 4)



## Rear mount sockets

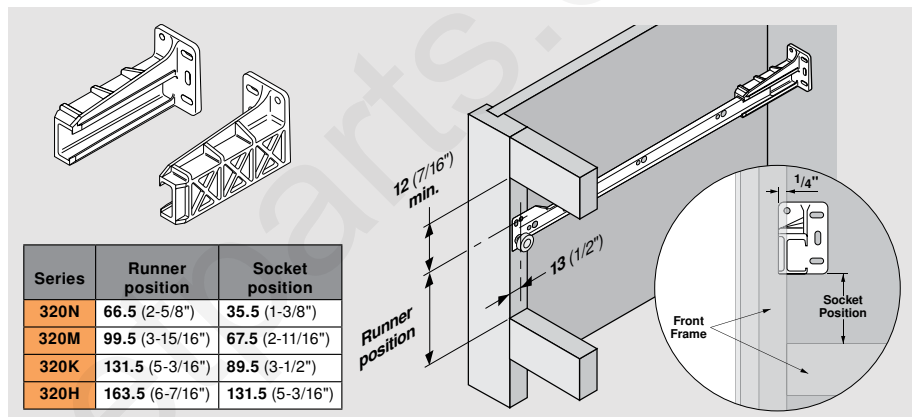
For use with METABOX 320N, M, K, H and all 230M runners in frame cabinets.

Synthetic, cream color

Attach with Blum 612TH screws, #6 x 1/2" trusshead

**602320** Left & right socket set

Cannot be used with METABOX 330 series or in conjunction with POSI-STOP's.



## Door protectors

For pull-out surrounds to prevent damage to doors.

Attaches to the underside of the drawer. For use with 230M runners only. Epoxy coated steel with synthetic rollers, cream color.

**298.2200** Door protector

