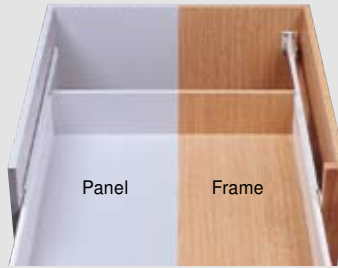


METABOX general specifications

Cabinet types and capacity

The METABOX drawer system can be installed in either panel or face-frame constructed cabinets with optional rear mounting sockets.

METABOX drawers have a static load capacity of 100 pounds and a dynamic capacity of 75 pounds and are tested to perform 100,000 open/close cycles without failure.



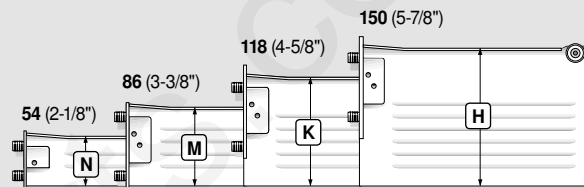
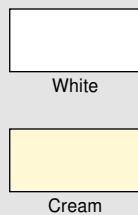
METABOX drawers install in all cabinets



Example of METABOX load capacity

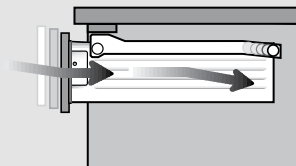
Available heights and colors

METABOX is available in four drawer heights, offering a multitude of design options. "C" drawers are available in cream or white, while "C15" drawers are available in white only.

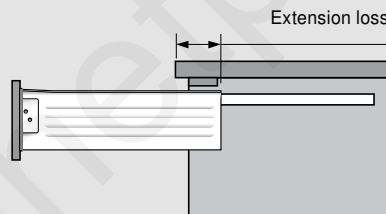


Opening and closing information

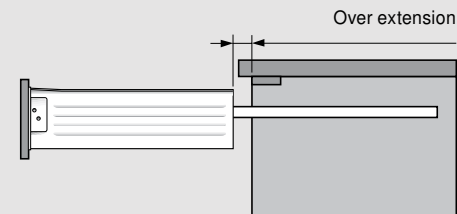
BLUMATIC self-closing action results from the angled drawer and cabinet profiles.



320 series 3/4 extension drawers have an extension loss when fully opened.

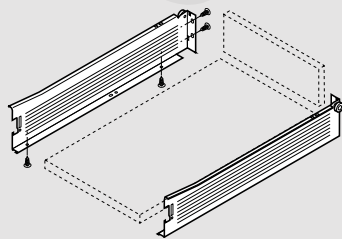


330 series full extension drawers have an over extension of 18 (3/4") when fully opened.



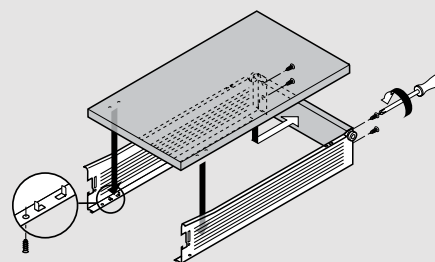
"C" version and the "C15" version

Assembling METABOX "C" drawers is quick and easy.

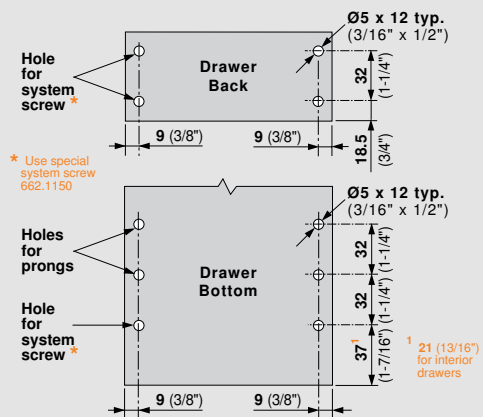


METABOX "C" version

METABOX "C15" drawers can be manually assembled (page 30), or with the METABOX drilling guide (page 28).



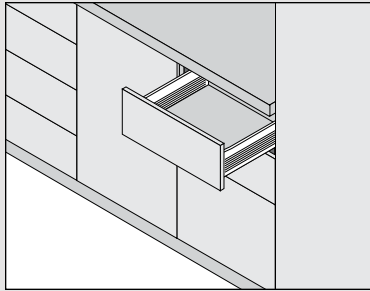
METABOX "C15" version



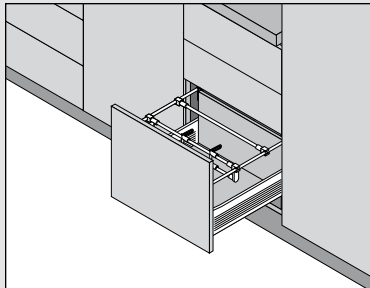
Boring for C15 drawer back and bottom for 13 (1/2") material, holes are 10 (3/8") deep



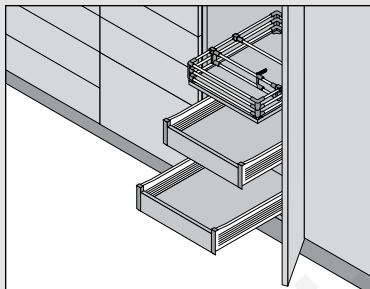
Drawer Configurations



Standard drawer

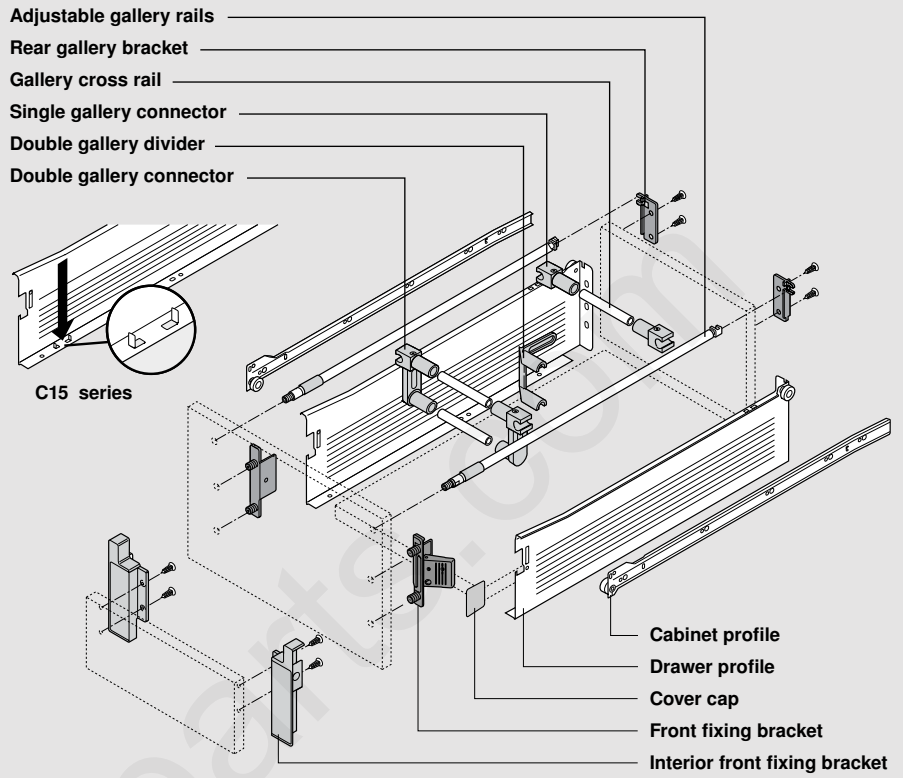


Standard drawer with gallery organization

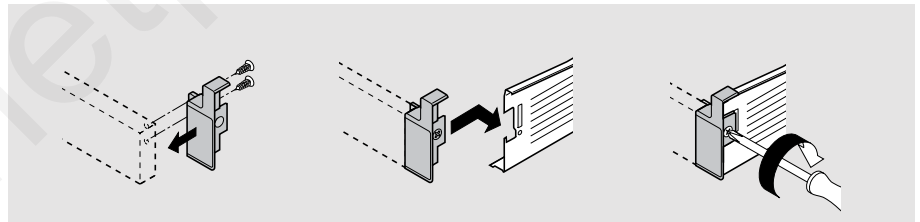


Pull-out surround shelf (top)
Interior roll-out trays (bottom)

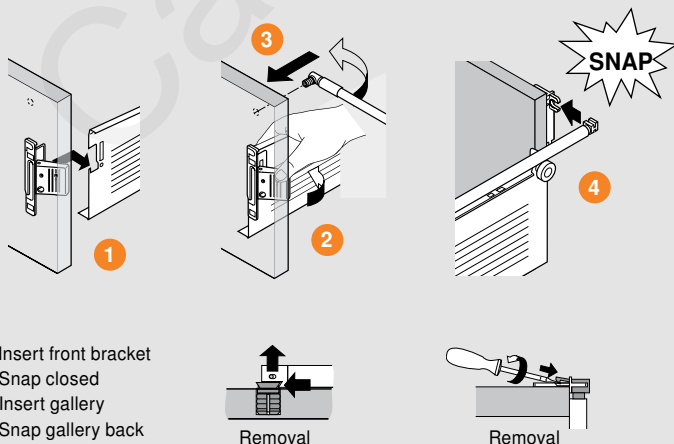
Components and accessories



Interior drawer front assembly

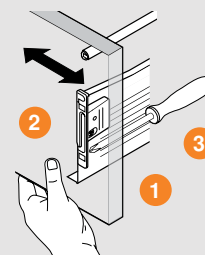


Drawer front assembly



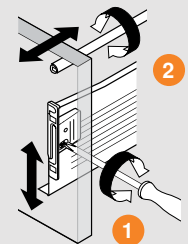
Drawer front adjustment

Side adjustment



1. Loosen fixing screws
2. Adjust front
3. Tighten screws

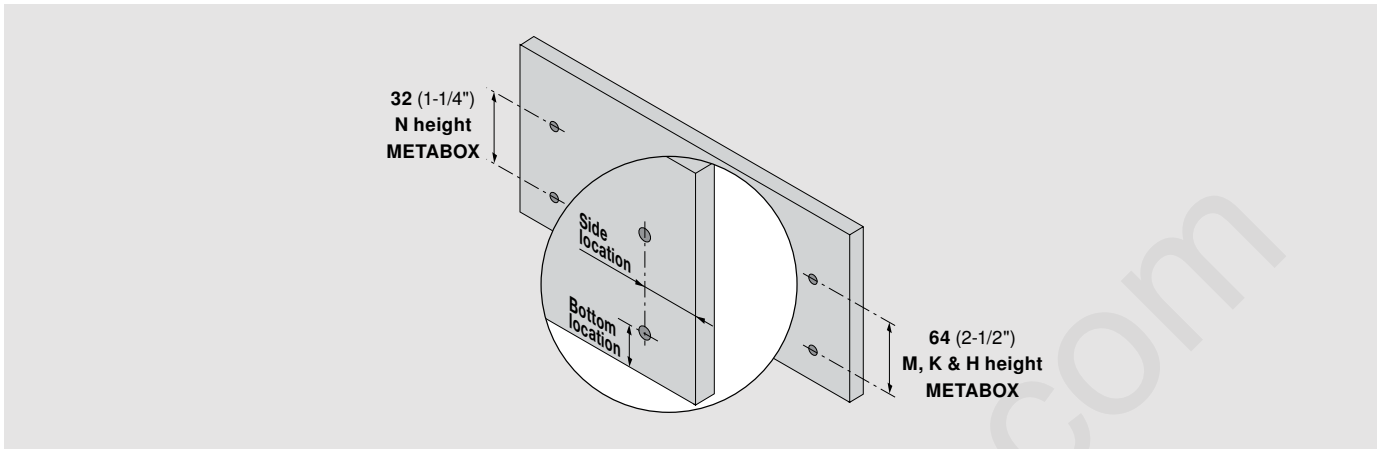
Height and Tilt adjustment



1. Adjust height cam
2. Turn rail to adjust tilt

METABOX drawer front overlay charts

Determining front fixing bracket locations



Side location

Side overlay	Screw or boring location
13 (1/2")	21.5 (13/16")
14 (9/16")	22.5 (7/8")
16 (5/8")	24.5 (15/16")
17.5 (11/16")	26 (1")
19 (3/4")	27.5 (1-1/16")

For overlays not shown please refer to specification pages 6-17 to calculate hole locations

Bottom location

Bottom overlay	Screw or boring location		
	N and M	K	H
13 (1/2")	26.5 (1")	58.5 (2-5/16")	90.5 (3-9/16")
14 (9/16")	27.5 (1-1/16")	59.5 (2-3/8")	91.5 (3-5/8")
16 (5/8")	29.5 (1-3/16")	61.5 (2-7/16")	93.5 (3-11/16")
17.5 (11/16")	31 (1-1/4")	63 (2-1/2")	95 (3-3/4")
19 (3/4")	32.5 (1-5/16")	64.5 (2-9/16")	96.5 (3-13/16")

For overlays not shown please refer to specification pages 6-17 to calculate hole locations