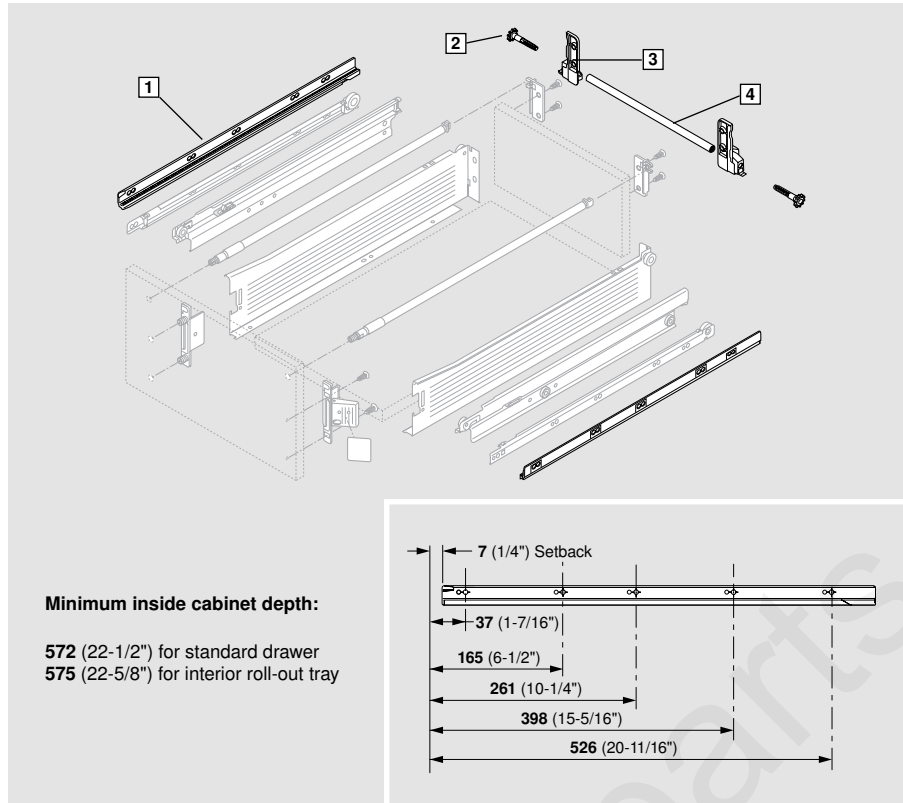


METABOX lateral stabilizer

Additional stabilization for wide drawers



For use with METABOX 330M and H series full extension drawers only.

Available for drawer lengths 550mm (22")
Linkage rod **4** can be cut according to cabinet width.

Suitable for cabinet widths up to 1200mm (47"). Simple assembly of all components.

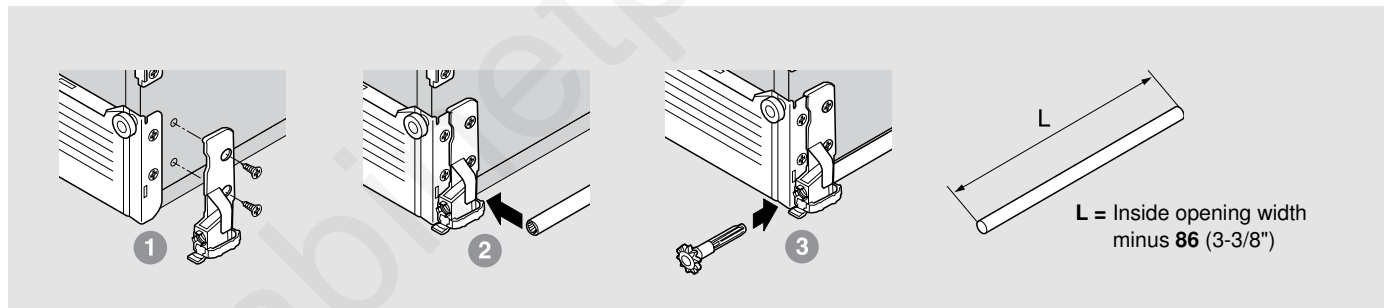
Does not increase load capacity.

Includes:

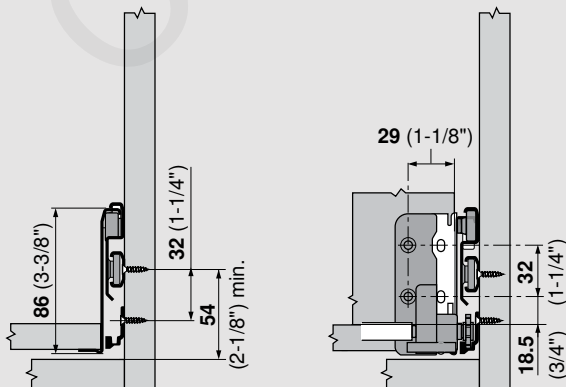
- 1** Gear racks, R & L
- 2** (2) pinion gears
- 3** Brackets, R & L
- 4** Linkage (1076mm)

ZST.550MH 550 (22") drawer length

Assembly and installation specifications



330M specifications



330H specifications

