

General specifications

Complete runner system

- Zinc-coated steel
- Concealed roller carriage with permanently lubricated synthetic rollers
- BLUMATIC spring-loaded self-closing action
- 552 series partial extension
- 562 series full extension with or without BLUMOTION
- 568 series with BLUMOTION
- H and . series for drawers up to 5/8" material thickness
- F and A series for drawers up to 3/4" material thickness

Locking devices

- Zinc die-cast with synthetic, spring-loaded release levers
- Force-guided right device and $\pm 1/16"$ self-adjust tolerance on left device
- Self-adjusting drawer length tolerance
- Tool-free drawer height adjustment
- Special locking devices are available for narrow drawers, inset drawers and interior roll-outs

Rear mounting options

- Zinc-coated steel brackets or nylon sockets
- Depth and side-to-side self-adjustment

One runner for all applications

TANDEM runners are designed for the American 3" increment cabinet depth system. This feature permits overlay or inset applications to use the same runner. Full length profiles make installation in panel or face-frame cabinets possible.

BLUMOTION

TANDEM plus runners are available with or without BLUMOTION. The BLUMOTION mechanism takes control of the drawer and brings it to a soft, quiet close every time.

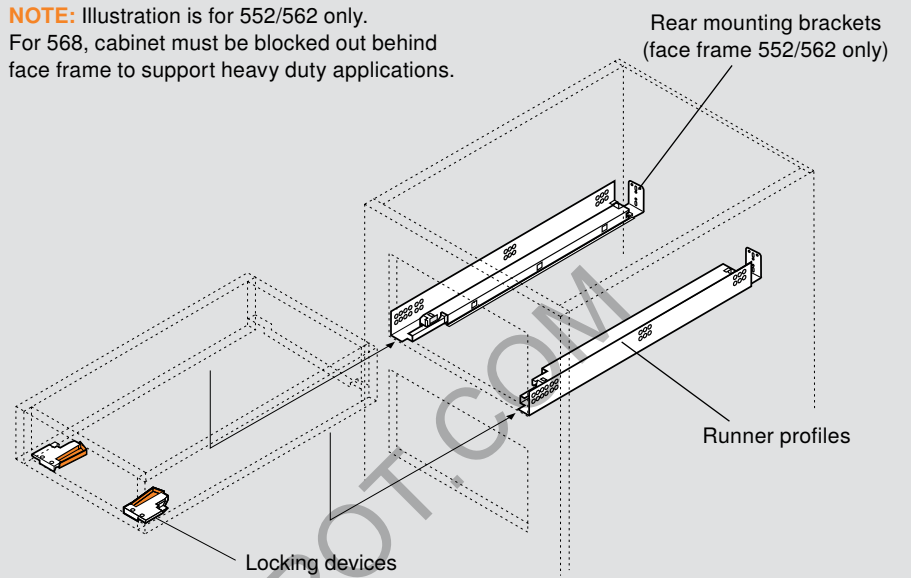
Load capacities*

- 75 lb dynamic, 100 lb static for TANDEM 552 and TANDEM plus 562 series
- 110 lb dynamic, 125 lb static for TANDEM plus 568 series

* As per ANSI/BHMA 156.9-2001 grade 1 specifications on a 21" length runner.

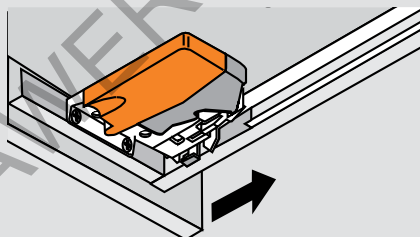
Drawer components

NOTE: Illustration is for 552/562 only. For 568, cabinet must be blocked out behind face frame to support heavy duty applications.



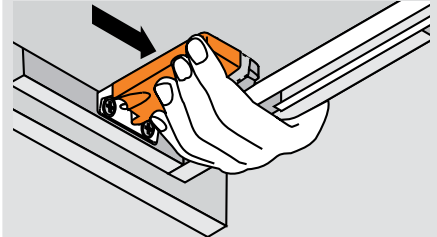
NOTE: Rear mounting brackets used for frame applications only

Installation



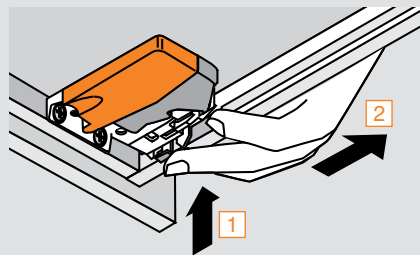
Place drawer on runners and close. Locking devices automatically connect to runners.

Removal



- 1 Squeeze orange release levers on locking devices
- 2 Pull drawer out and up

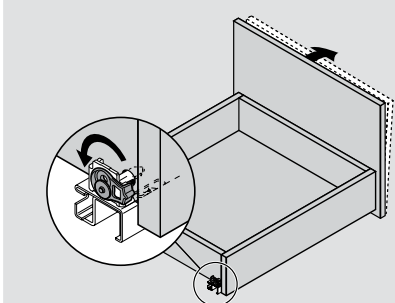
Height adjustment



- 1 Press up on adjustment tab
- 2 Push toward back of drawer

Maximum 3 (1/8") rise of drawer front.

Tilt adjustment

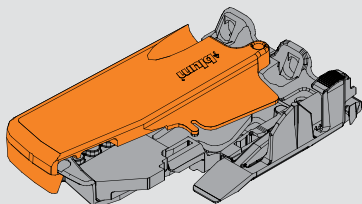


Rotate the tilt adjustment dial on the rear of each runner profile to tilt the top of the drawer front forward.



Locking devices

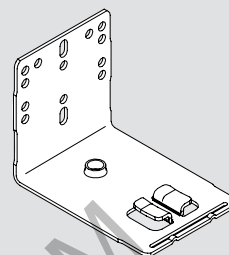
Locking devices allow easy insertion and removal of drawers.



page 48

Rear mounting options

For use when installing TANDEM runners in face frame cabinets. Not necessary for panel cabinet installation.



page 50

TANDEM template

A required assembly aid for the boring of TANDEM locking devices and rear hooks.

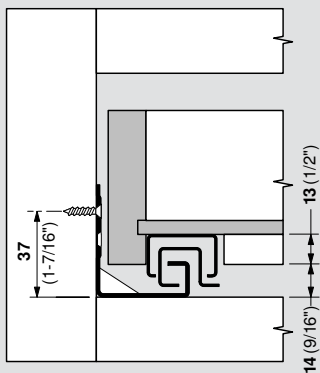


page 54

Height compatible concealed runner systems

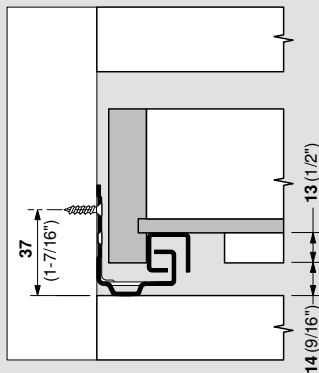
TANDEM plus

The full extension TANDEM plus runners establish the standard mounting location used for all Blum concealed runners.



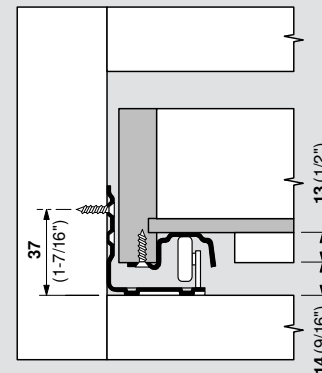
TANDEM

Partial extension TANDEM 552 series runners have a stamped positioning tab that raises the mounting holes to the same height.



SOLO

Partial extension SOLO 262 series runners have positioning dimples that raise the mounting holes to the same height.



The mounting position allows drawer fronts to be attached in the same position.