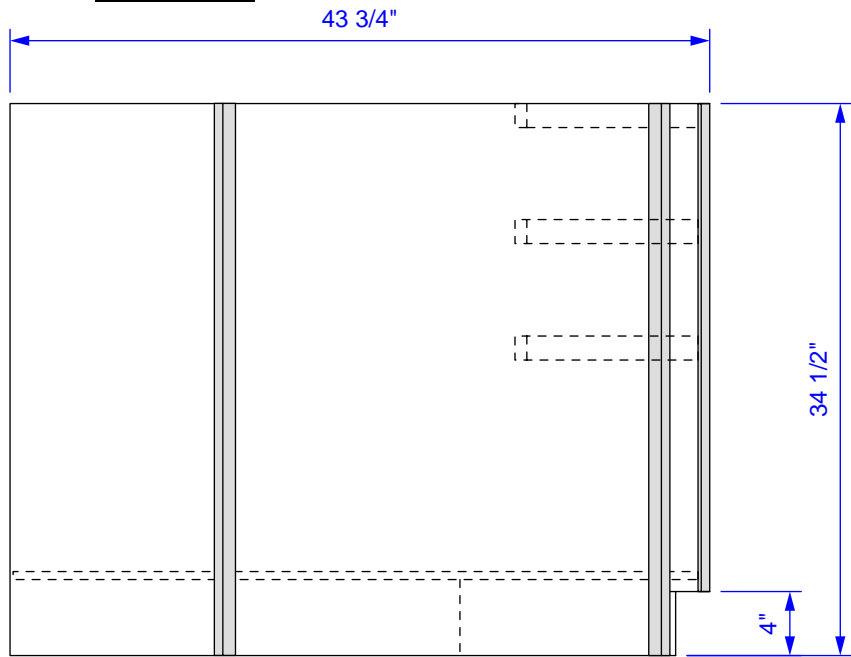
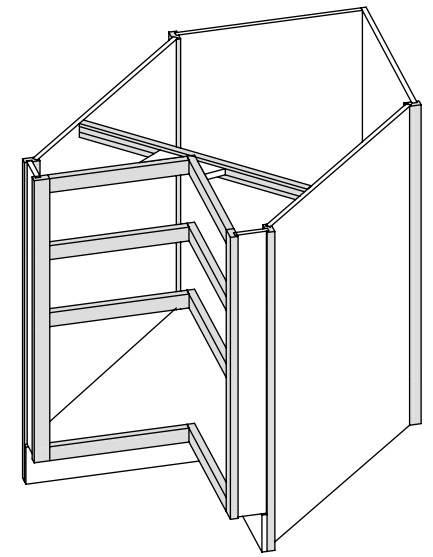
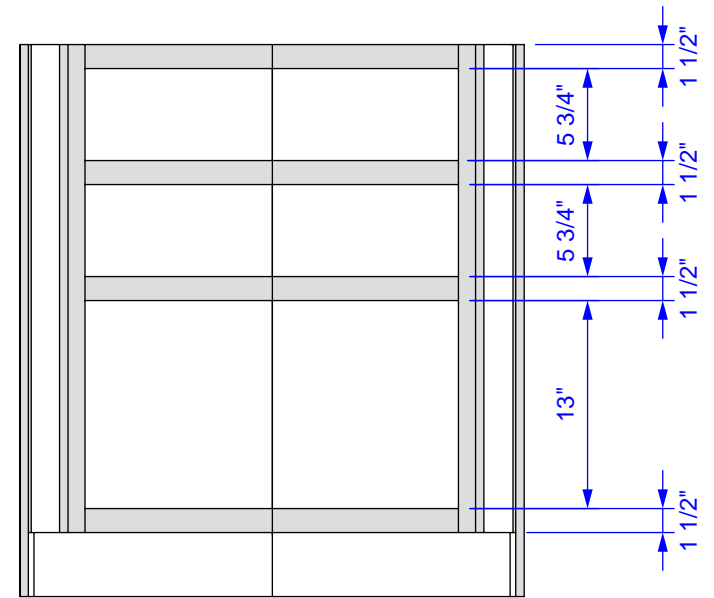


Plan view



Side Elevation

Openings based on
4 tier design

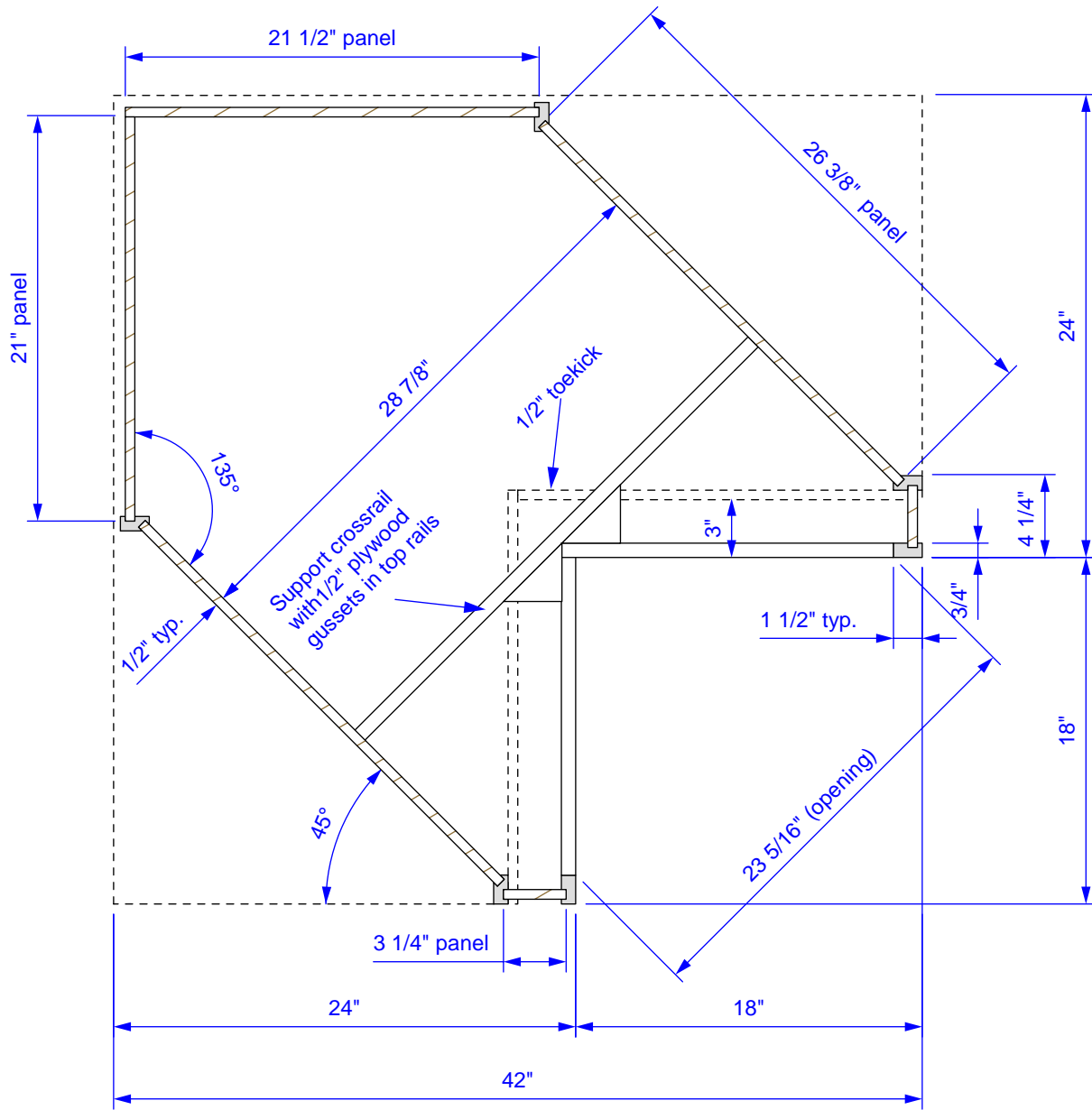


Front Elevation

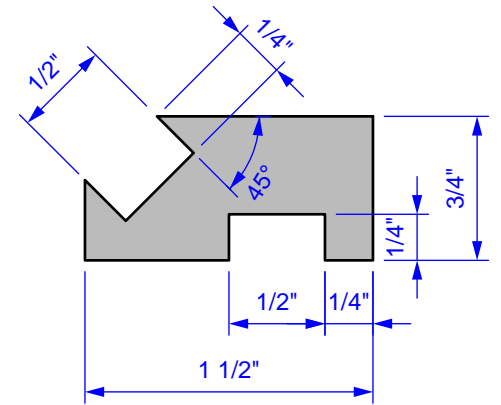
Product Group TANDEM		Project 42" frame SPACE CORNER			Date	Index	Revision	
Description Overall cabinet views		Date 1/25/05	Drawn By	Scale 1:12	Drawing Set		Page No. 1	Index 00



Julius Blum, Inc
Stanley, NC 28164

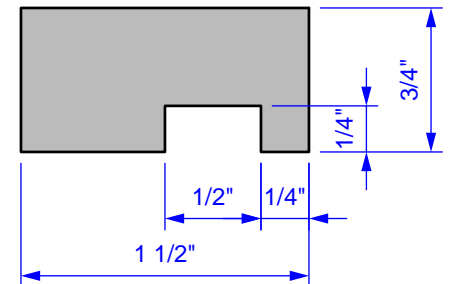


Plan View



Transition stile

(4) pcs. 34 1/2" long



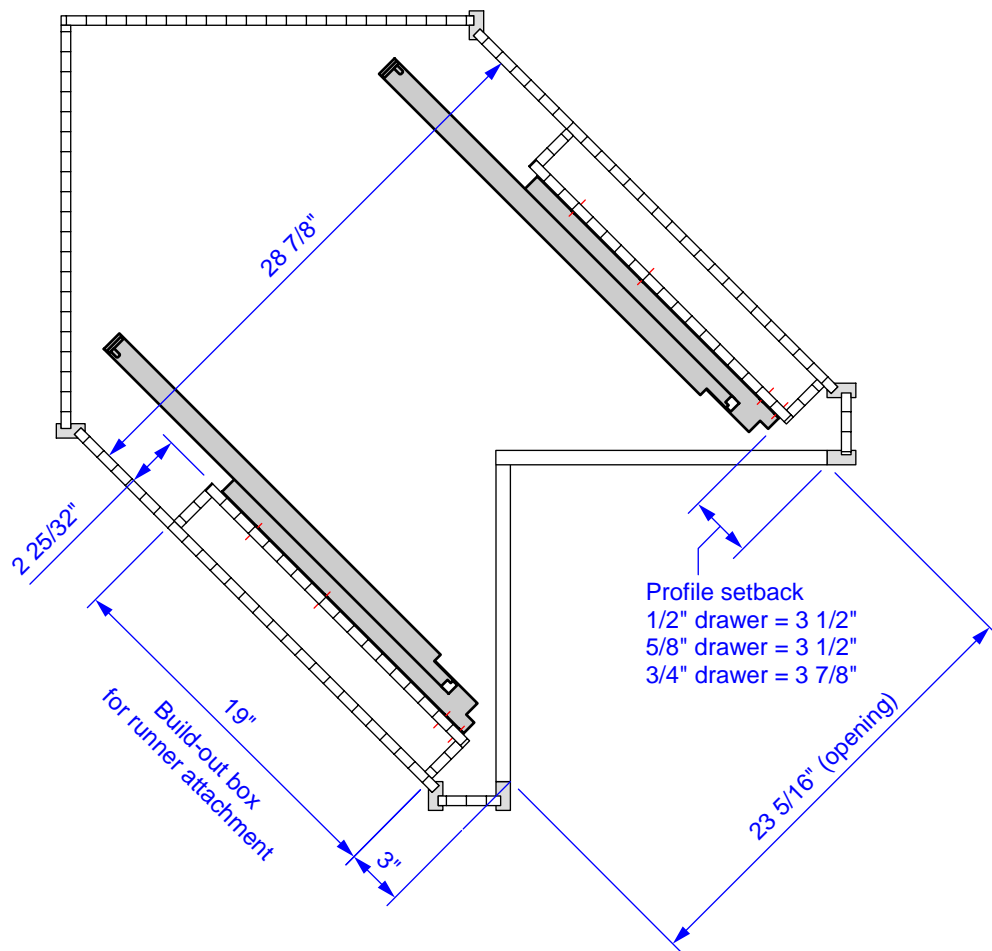
Face stile

Also bottom, top and support cross rails

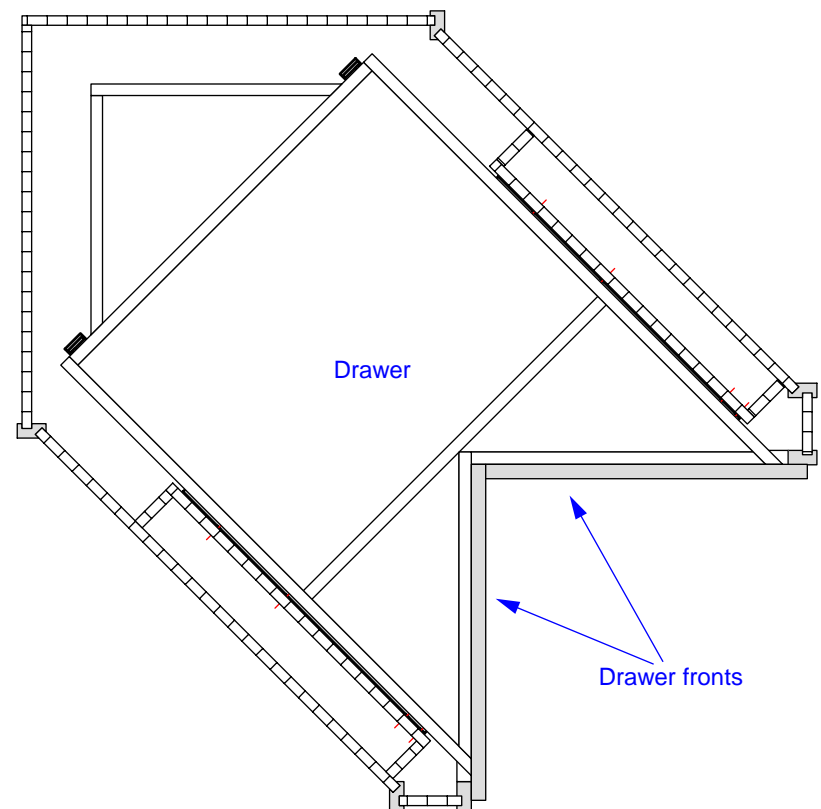
Product Group TANDEM		Project 42" frame SPACE CORNER			Date	Index	Revision	
Description Cabinet plan view		Date 1/25/05	Drawn By	Scale 1:8	Drawing Set		Page No. 2	Index 00



Julius Blum, Inc
Stanley, NC 28164



Runner installation



Drawer installation

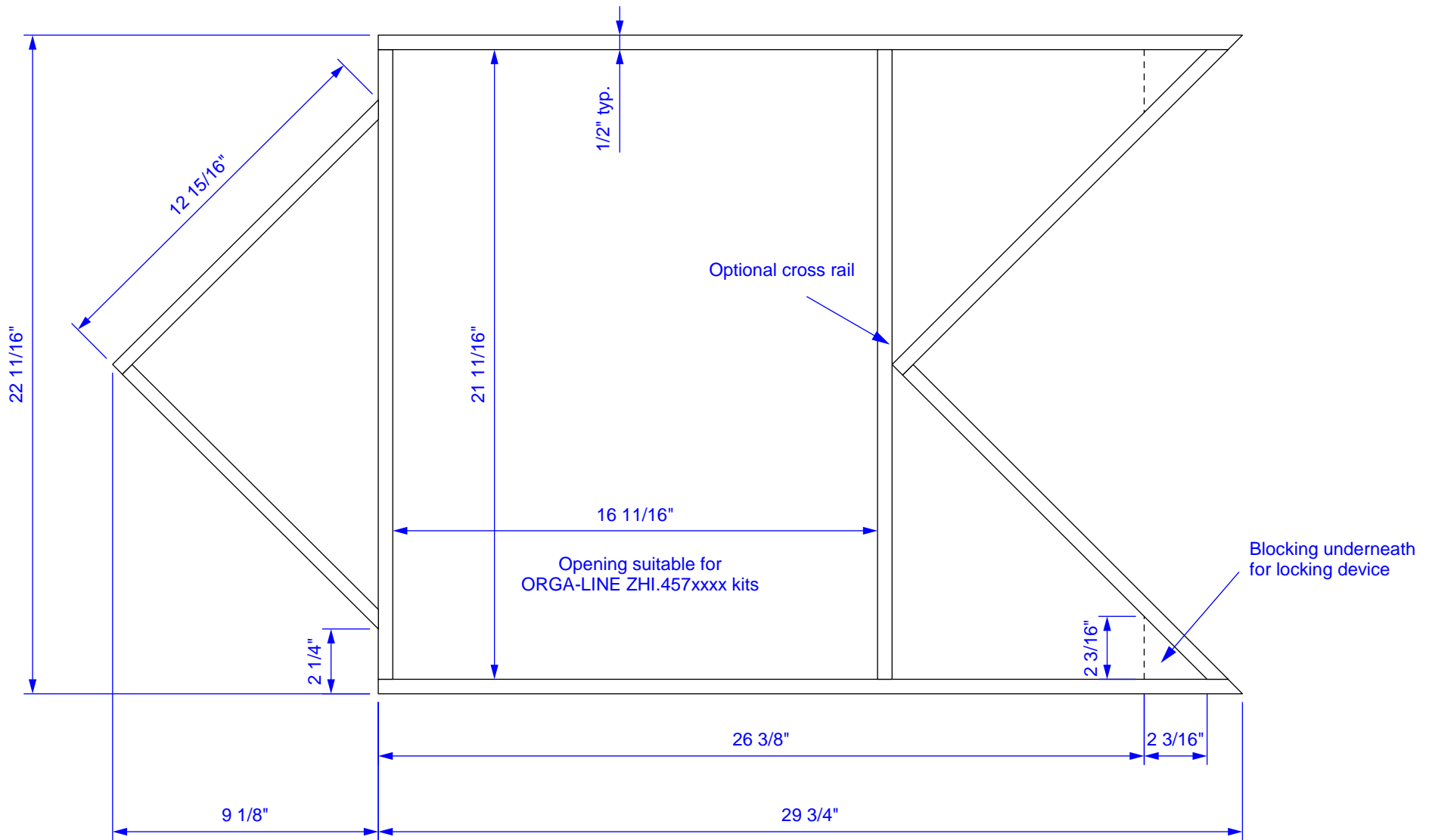
TANDEM 27" (686mm) heavy duty full-extension runners with integrated BLUMOTION

568.6860B for 1/2" & 5/8" drawer side thk.
 568A6860B for 3/4" drawer side thk.

Product Group		Project			Date	Index	Revision	
TANDEM		42" frame SPACE CORNER						
Description		Date	Drawn By	Scale	Drawing Set		Page No.	Index
Runner installation		3/18/05		1:8			3	00



Julius Blum, Inc
 Stanley, NC 28164



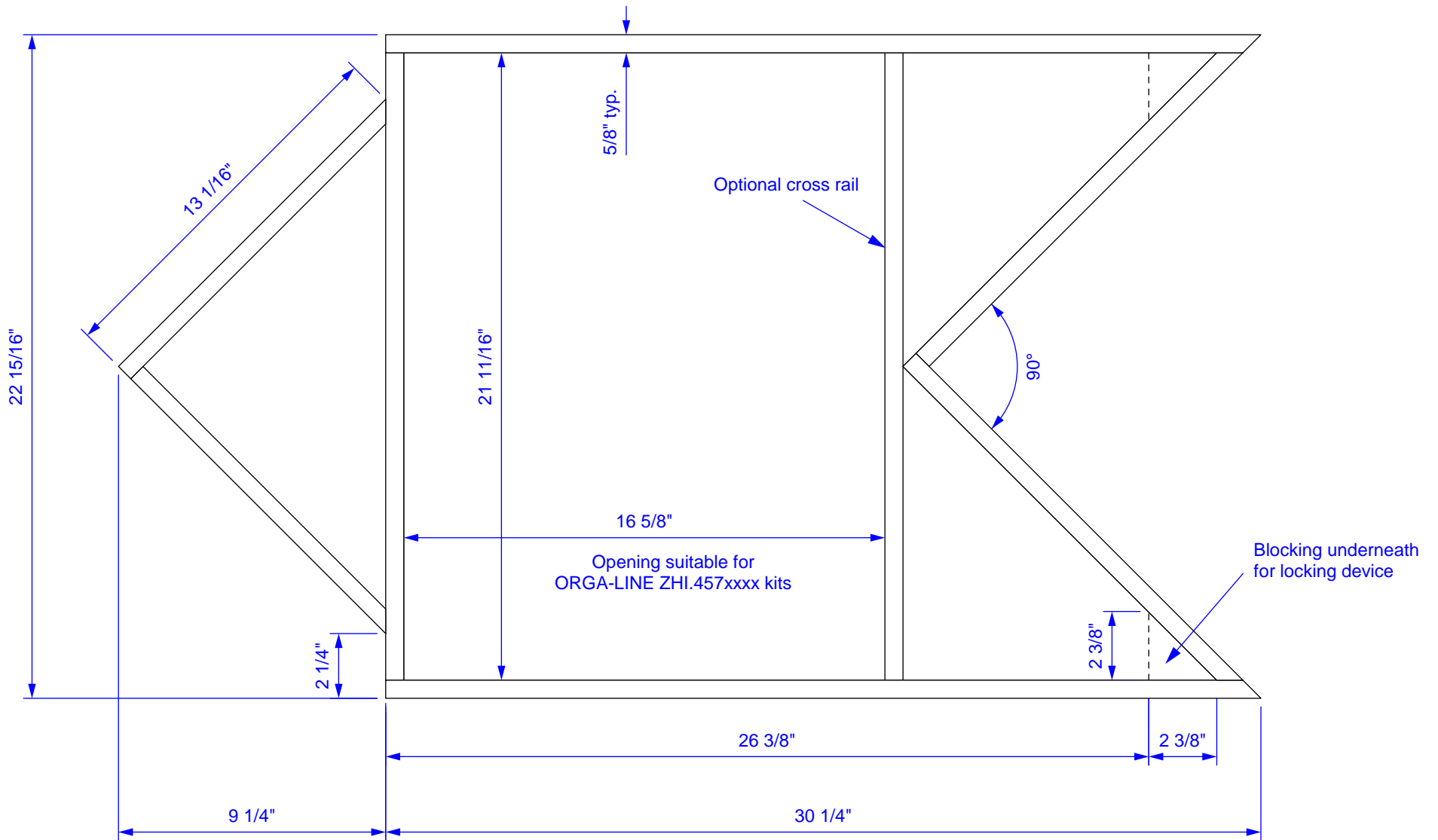
Plan View

For use with 568.6860B runner

Product Group TANDEM		Project 42" frame SPACE CORNER			Date	Index	Revision	
Description 1/2" drawer		Date 3/18/05	Drawn By	Scale 1:5	Drawing Set		Page No. 4	Index 00



Julius Blum, Inc
Stanley, NC 28164



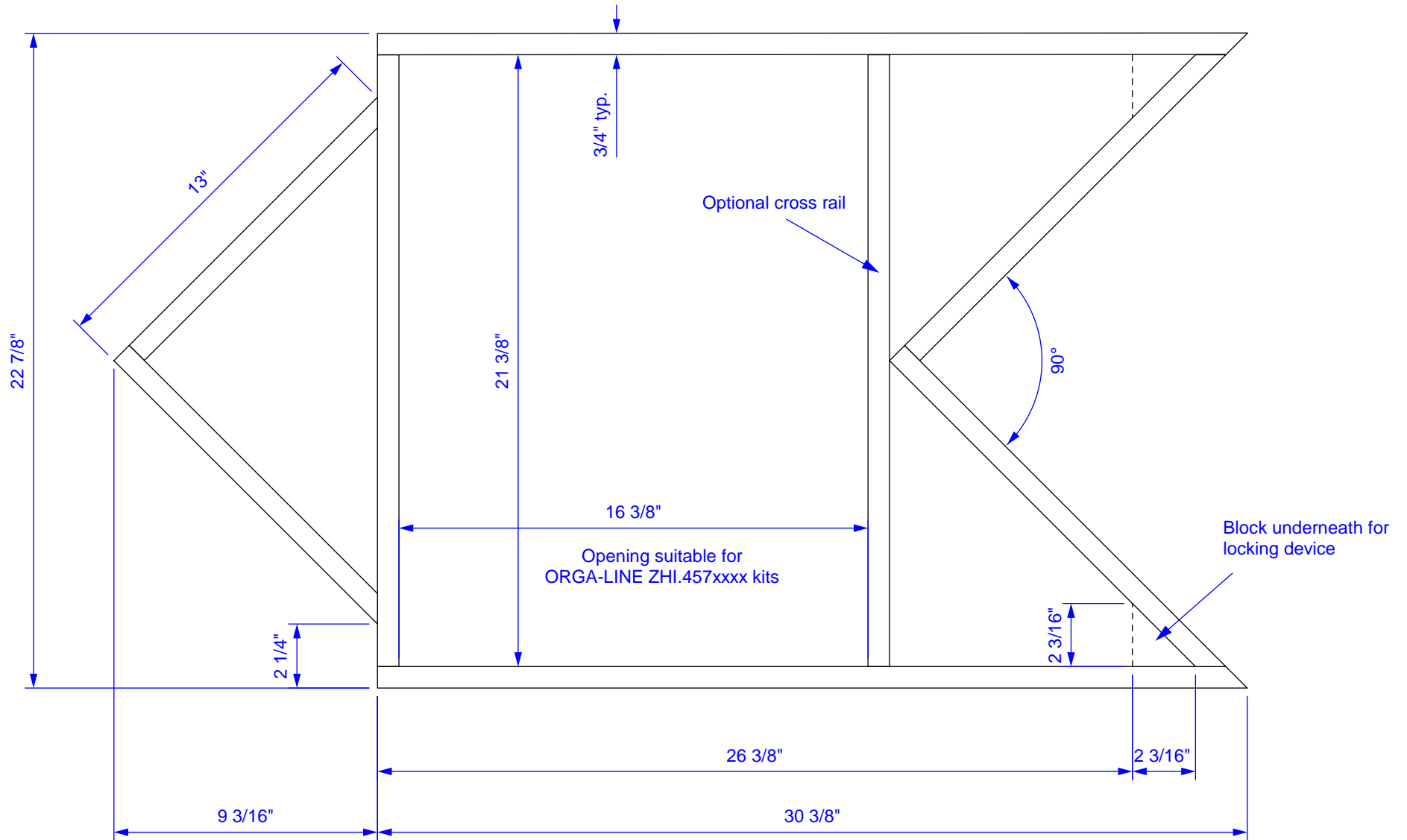
Plan View

For use with 568.6860B runner

Product Group TANDEM		Project 42" frame SPACE CORNER			Date	Index	Revision	
Description 5/8" drawer		Date 3/18/05	Drawn By	Scale 1:5	Drawing Set		Page No. 5	Index 00



Julius Blum, Inc
Stanley, NC 28164



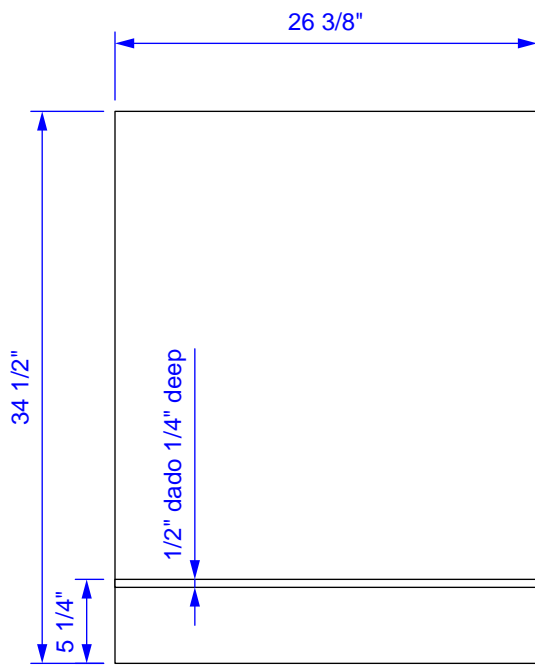
Plan View

For use with 568A6860B runner

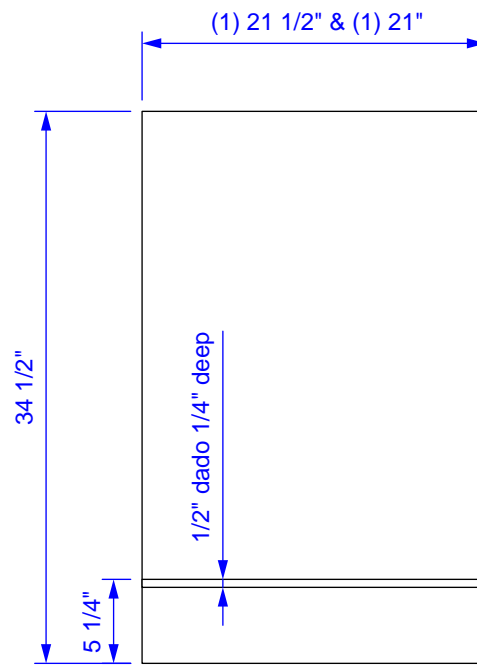
Product Group TANDEM		Project 42" frame SPACE CORNER			Date	Index	Revision	
Description 3/4" drawer		Date 3/18/05	Drawn By	Scale 1:5	Drawing Set		Page No. 6	Index 00



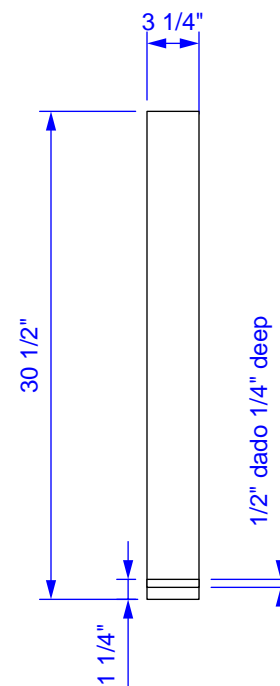
Julius Blum, Inc
Stanley, NC 28164



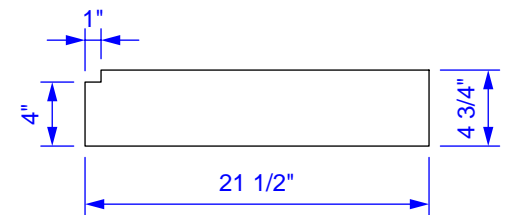
Side panel
(2) req'd.



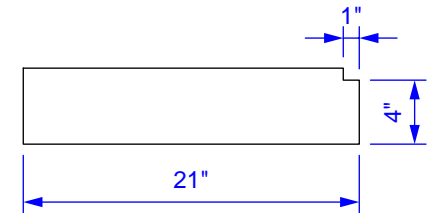
Back panel
(2) req'd.



Front panel
(2) req'd.



LH toekick
(1) req'd.



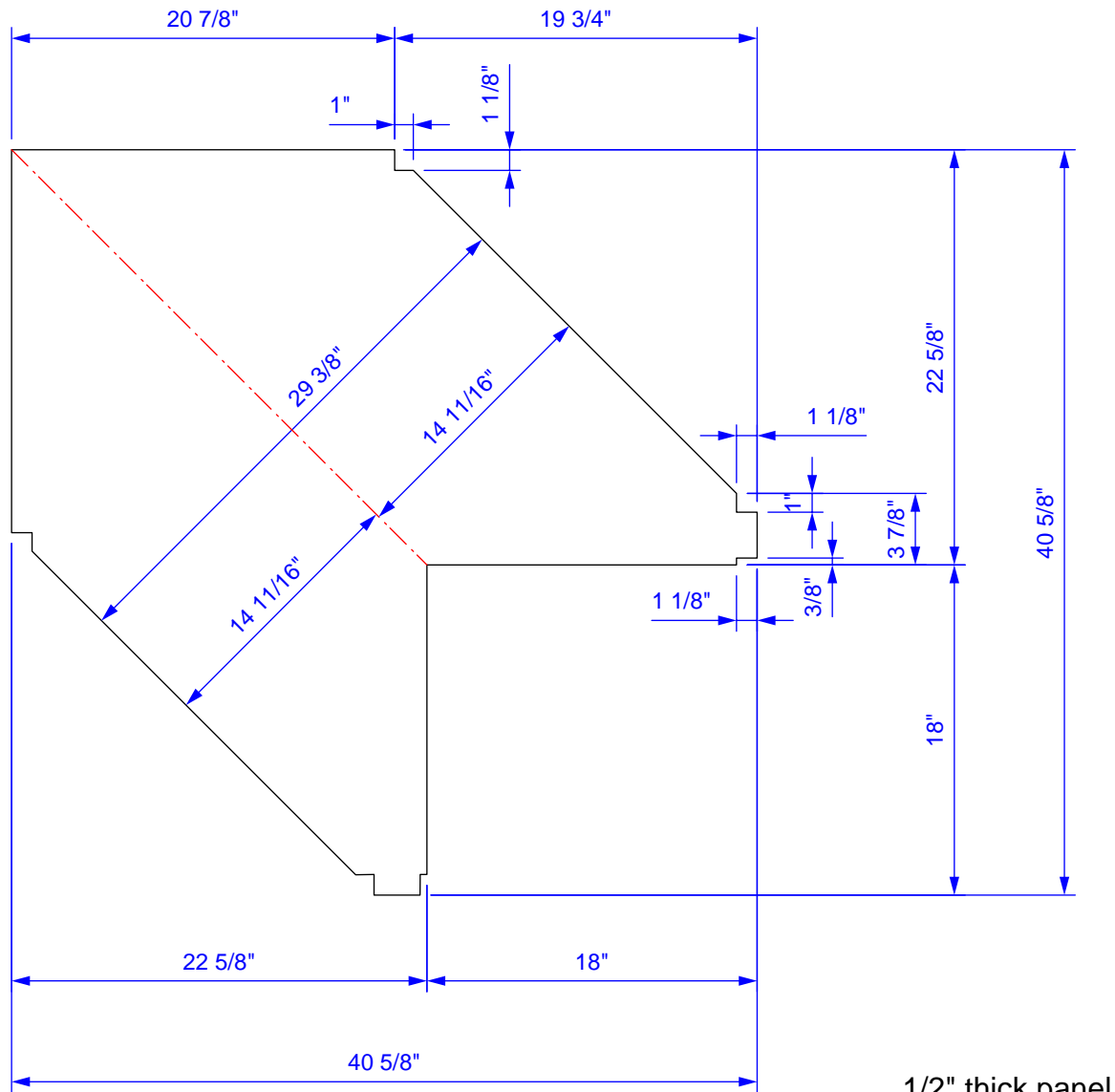
RH toekick
(1) req'd.

All panels 1/2" thick

Product Group		Project			Date	Index	Revision	
TANDEM		42" frame SPACE CORNER						
Description		Date	Drawn By	Scale	Drawing Set		Page No.	Index
Cabinet panels		3/15/05		1:12			7	00



Julius Blum, Inc
Stanley, NC 28164



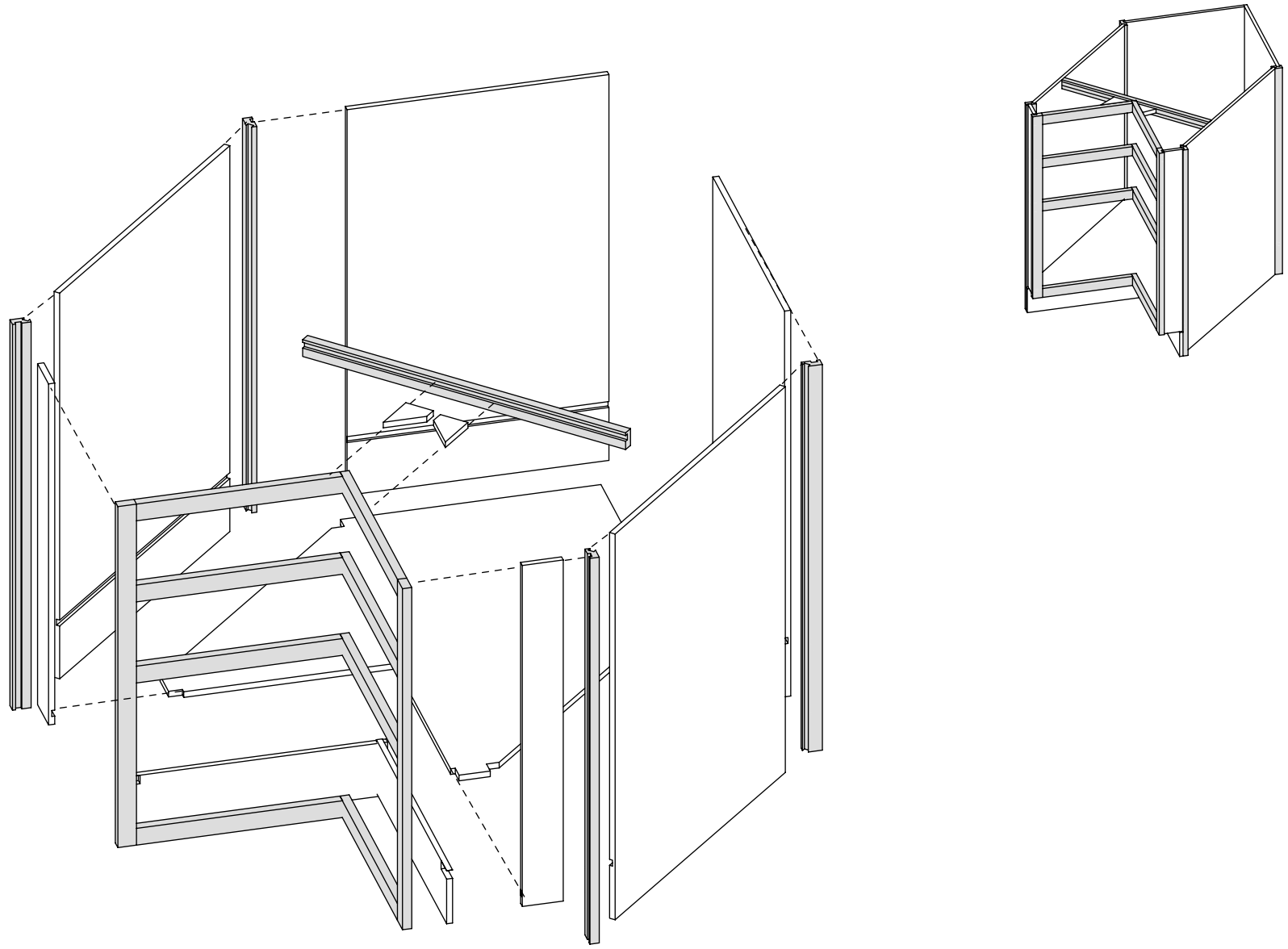
1/2" thick panel

Plan View

Product Group TANDEM		Project 42" frame SPACE CORNER			Date	Index	Revision	
Description Cabinet bottom panel		Date 3/18/05	Drawn By	Scale 1:10	Drawing Set		Page No. 8	Index 00



Julius Blum, Inc
Stanley, NC 28164



Product Group TANDEM		Project 42" frame SPACE CORNER			Date	Index	Revision	
Description Exploded cabinet view		Date 3/18/05	Drawn By	Scale 1:12	Drawing Set		Page No. 9	Index 00



Julius Blum, Inc
Stanley, NC 28164