

CLIP mounting plates

One piece wing mounting plate

- Steel, nickel plated
- Attached with wood screws #6 x 5/8" (606P)
- Height adjustment ± 3 mm
- *Add additional wood screw if used with wide angled hinges

Wood screws	(H) Height 0	(H) Height 3
#6 x 5/8" (606P)	173L6100	173L6130

One piece wing mounting plate

CLIP plates

- Steel, nickel plated
- Attached with pre-mounted system screws $\varnothing 5$ mm (668.1450.EH)
- Height adjustment ± 3 mm
- *Add additional wood screw if used with wide angled hinges

System screws	(H) Height 0	(H) Height 3
Pre-mounted	173L8100	173L8130

EXPANDO mounting plate

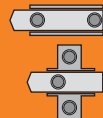
- Steel, nickel plated
- Attached with pre-mounted screws with EXPANDO dowels (618.1500)
- Height adjustment ± 2 mm
- *Add additional wood screw if used with wide angled hinges

EXPANDO dowels	(H) Height 0	(H) Height 3
Pre-mounted	174E6100.01	174E6130.01

EXPANDO mounting plate (twin application)


- Steel, nickel plated
- Attached with pre-mounted screws with EXPANDO dowels for twin application (618.1500)
- Height adjustment ± 2 mm
- *Additional wood screw required

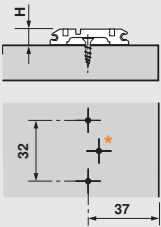
EXPANDO dowels	(H) Height 0
Pre-mounted	174E610Z



CLIP mounting plates

Cam mounting plate




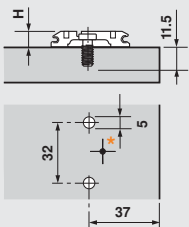


- Steel, nickel plated
- Attached with wood screws #6 x 5/8" (606P)
- Cam height adjustable ± 2 mm
- *Add additional wood screw if used with wide angled hinges

Wood screws	(H) Height 0	(H) Height 3
#6 x 5/8" (606P)	173H7100	173H7130

Cam mounting plate






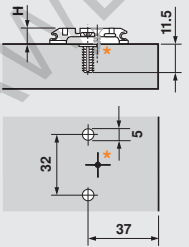
- Steel, nickel plated
- Attached with system screws (661.1450.HG)
- Cam height adjustment ± 2 mm
- *Add additional wood screw if used with wide angled hinges

Wood screws or System screws	(H) Height 0	(H) Height 3
#7 x 5/8" (707N) 661.1450.HG	173H9100	173H9130

CLIP plates

EXPANDO cam mounting plate




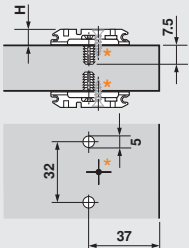


- Steel, nickel plated
- Attached with pre-mounted screws with EXPANDO dowels (618.1500)
- Cam height adjustment ± 2 mm
- *Add additional wood screw if used with wide angled hinges

EXPANDO dowels	(H) Height 0	(H) Height 3
Pre-mounted	174H7100E	174H7130E

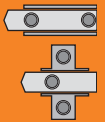
EXPANDO cam mounting plate (twin application)






- Steel, nickel plated
- Attached with pre-mounted screws with EXPANDO dowels for twin application (618.1500)
- Cam height adjustment ± 2 mm
- *Additional wood screw required

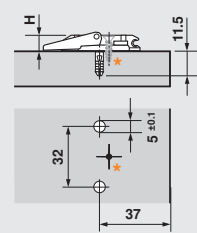
EXPANDO dowels	(H) Height 0
Pre-mounted	174H710ZE



CLIP mounting plates

INSERTA cam mounting plate




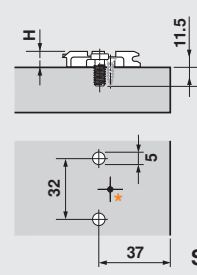


- Steel (closing lever – zinc die-cast, nickel plated)
- Tool-free assembly with self-anchoring feature
- Cam height adjustment ± 2 mm
- *Add additional wood screw if used with wide angle hinges

INSERTA dowels	(H) Height 0
Pre-mounted	174H7100I

One piece wing mounting plate




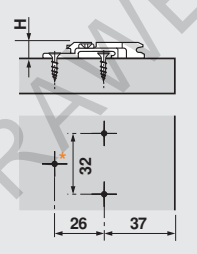


- Zinc die-cast, nickel plated
- Attached with pre-mounted system screws $\varnothing 5$ mm (668.1450.EH)
- Height adjustment ± 3 mm
- *Add additional wood screw if used with wide angle hinges

System screws	(H) Height 0	(H) Height 3	(H) Height 9
Pre-mounted	175L8100	175L8130	175L8190

Two piece wing mounting plate




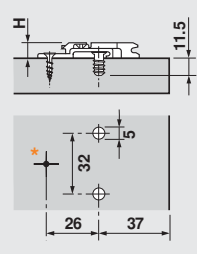


- Zinc die-cast, nickel plated
- Attached with wood screws #6 x 5/8" (606P)
- Height adjustment ± 2 mm
- *Add additional wood screw if used with wide angled hinges

Wood screws	(H) Height 0	(H) Height 3	(H) Height 9
#6 x 5/8" (606P)	175H7100	175H7130	175H7190

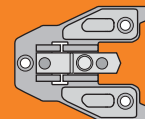
Two piece wing mounting plate





- Zinc die-cast, nickel plated
- Attached with system screws $\varnothing 5$ mm (661.1150.HG)
- Height adjustment ± 2 mm
- *Add additional wood screw if used with wide angled hinges

Wood screws or System screws	(H) Height 0	(H) Height 3	(H) Height 6	(H) Height 9	(H) Height 18
#7 x 5/8" (707N) 661.1150.HG	175H9100	175H9130	175H9160	175H9190	175H9190.22



CLIP in-line mounting and face frame adapter plates

Screw-on cam in-line mounting plate

- Zinc die-cast, nickel plated
- Screw-on assembly with included screws (629.1700)
- Cam height adjustment ± 2 mm
- Use of the QUICKFIX (page 77) or mounting plate template (page 76) recommended for proper installation

Wood screws 629.1700 (included)	(H) Height 0 175H5100.05
---	------------------------------------

Press-in cam in-line mounting plate

- Zinc die-cast, nickel plated
- Press-in assembly with pre-attached dowels
- Assembly with #50 insertion ram or knock-in tool (page 85)
- Cam height adjustment ± 2 mm
- Use of the QUICKFIX (page 77) or mounting plate template (page 76) recommended for proper installation

Press-in Pre-mounted dowels	(H) Height 0 177H5100	(H) Height 3 177H5130
---------------------------------------	---------------------------------	---------------------------------

Face frame cam adapter plate – center mount

- Steel, zinc die-cast and nickel plated
- Center mount 9.5 (3/8")
- Cam height adjustment ± 2 mm
- Use of the PlateMate recommended (see page 78)

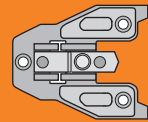
Wood screws #7 x 3/4" (7074N)	(H) Height 0 175H6000	(H) Height 3 175H6030	(H) Height 4.5 175H6040	(H) Height 6 175H6060
---	---------------------------------	---------------------------------	-----------------------------------	---------------------------------

* 175H6000 not for use with INSERTA hinges (use 175H6600)

Face frame cam adapter plate – off-center mount

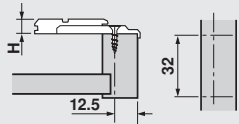
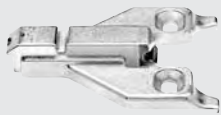
- Steel, zinc die-cast and nickel plated
- For use with INSERTA hinge cups
- Off-center mount 12.5 (1/2")
- Cam height adjustment ± 2 mm
- Use of the PlateMate recommended (see page 78)

Wood screws #7 x 3/4" (7074N)	(H) Height 0 175H6600
---	---------------------------------



CLIP face frame adapter plates

Face frame adapter plate – off-center mount



- Zinc die-cast, nickel plated
- Off-center mount **12.5** (1/2")
- Height adjustment ± 2 mm
- Use of the PlateMate recommended (see page 78)

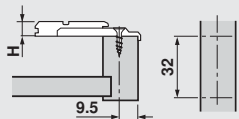
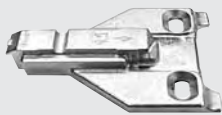
Wood screws
#7 x 3/4" (7074N)

(H) Height 0
175L6600.22

(H) Height 3
175L6630.22

(H) Height 6
175L6660.22

Face frame adapter plate – center mount

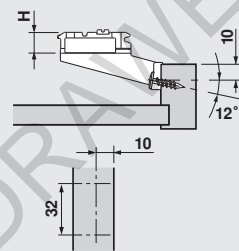
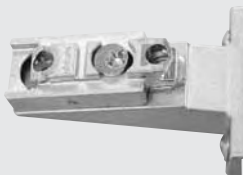


- Zinc die-cast, nickel plated
- Center mount **9** (3/8")
- Height adjustment ± 2 mm
- Use of the PlateMate recommended (see page 78)

Wood screws
#7 x 3/4" (7074N)

(H) Height 3
175L6030.21

Inset face frame cam adapter plate

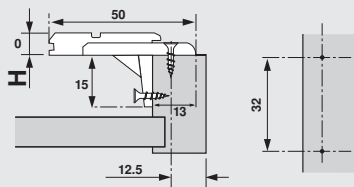


- Use with half-cranked hinges only
- Zinc die-cast, nickel plated
- Attached with truss head screws #8 x 3/4" (834TH)
- Can be used on frames with applied bead molding
- Cam height adjustment ± 2 mm
- 170° hinges not recommended
- **Use of the PlateMate required** (see page 78)

Wood screws
#8 x 3/4" truss head (834TH)

(H) Height 3
175H5030.21

Face frame mounting plate with flange



- Recommended when using the 170° and 0 protrusion hinges on face frame cabinets
- Zinc die-cast, nickel plated
- Off-center mount **12.5** (1/2")
- Height adjustment ± 2 mm
- Use of the PlateMate recommended (see page 78)
- Replaces 175L6600.23

Wood screws
#7 x 3/4" (707N)

(H) Height 0
175L6600.24

CLIP plates