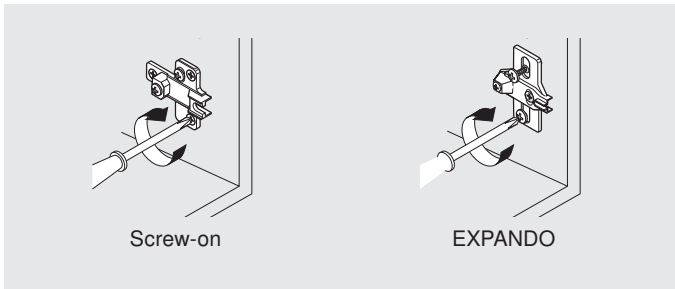


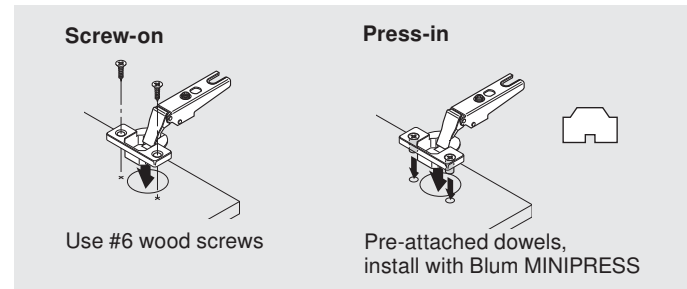


# MODUL general specifications

## Mounting plate-to-cabinet



## Hinge-to-door attachment



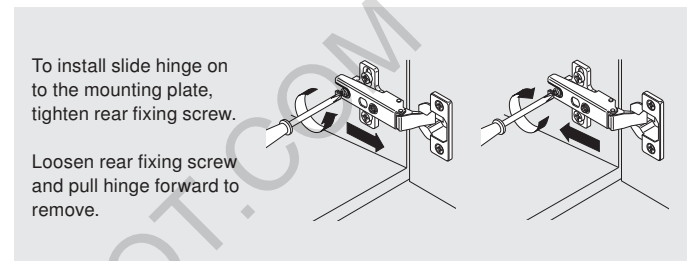
## Blum boring pattern

C Cup centerpoint					
20.5	21.5	22.5	23.5	24.5	25.5
13/16"	27/32"	7/8"	15/16"	31/32"	1"
3	4	5	6	7*	8*
B Bore distance					

\* only for use with select Blum hinges

Cup centerpoint is the MINIPRESS or MINIDRILL fence depth position.

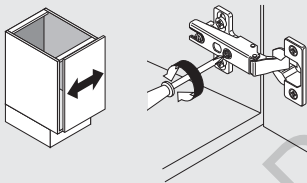
## Door-to-cabinet attachment



## Three-dimensional adjustment

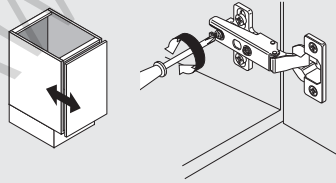
### Side adjustment

Turn front screw to increase or decrease door overlay.  
Range =  $\pm 2$  mm



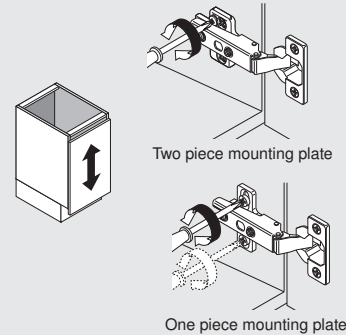
### Depth adjustment

Loosen back screw. Adjust door to position and tighten screw.  
Range =  $\pm 2$  mm



### Height adjustment

Loosen screw(s) on the mounting plate. Adjust door to position and tighten screws.  
Range =  $\pm 3$  mm



## Hinge dimension abbreviations

**B** = Boring distance  
**H** = Mounting plate height  
**OL** = Door overlay  
**P** = Door protrusion (at max opening)

**R** = Reveal  
**S** = Hinge arm protrusion  
**T** = Door thickness  
**W** = Side panel width  
**X** = Fixed cup distance

## Minimum reveal

A minimum reveal per door is required to keep the door from binding and varies depending on door thickness (see Minimum reveal table for each hinge). **Minimum reveal based on outside door edge with radius of 1 (1/32").**

## Hinges per door

**X** = Door height  
**Y** = Number of hinges

This chart can serve as a guide for determining the number of hinges per door. Note that door weight can also determine the number of hinges required.

Door Height (X)	Number of Hinges (Y)	Weight Range
20"	2	15 lb.
40"	3	15-30 lb.
60"	4	30-45 lb.
80"	5	45-60 lb.

\* The distance between the two hinges must be greater than the width of the door for maximum stability.