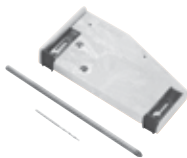


Corner post template



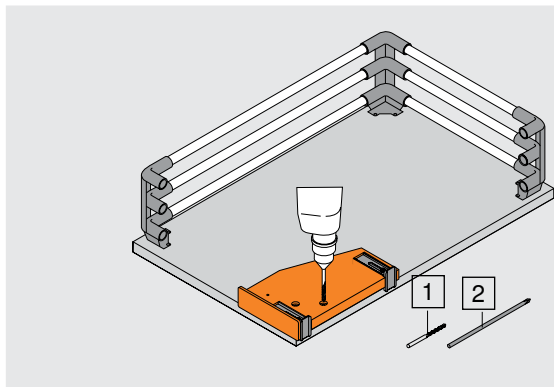
Corner post template

- Used for pilot boring the mounting holes for the corner supports of Blum's interior pullout surround gallery system

Part no.

ZML.0010

Using the corner post template



1. Calculate side offset of corner post and set adjustable side stops.
2. Place template on each corner of roll-out shelf and bore $\text{Ø}2.5\text{mm}$ pilot holes.
3. Use extended screwdriver tip to attach corner post to shelf.

Corner post template parts included

- | | |
|---|--|
| 1 | $\text{Ø}2.5\text{mm}$ drill bit, 3 pieces |
| 2 | Screwdriver tip |