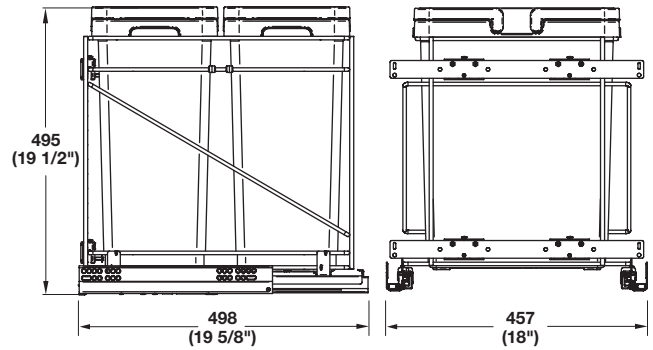


Pull-Out Bottom Mount



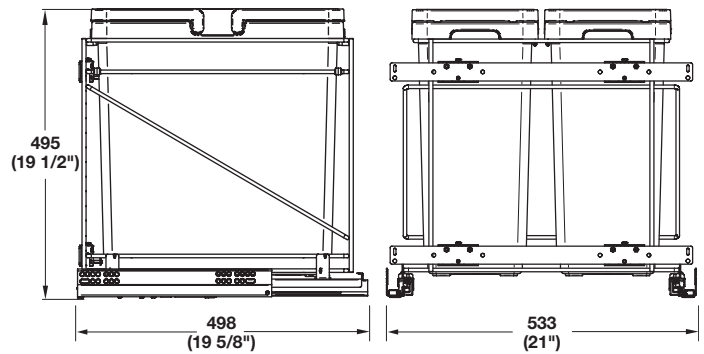
**Double Bin Unit**

For 18" opening  
W x D x H: 457 x 498 x 495 mm (18" x 19 5/8" x 19 1/2")  
Capacity: 2 x 32 quarts (64 quarts)

Material: Steel; Finish: chrome; Bin: Plastic; Color: silver

Salice No.	Item No.
QPAM18228C	503.00.522

**Supplied With**  
Mounting screws  
Mounting instructions



**Double Bin Unit**

For 21" opening  
W x D x H: 533 x 498 x 495 mm (21" x 19 5/8" x 19 1/2")  
Capacity: 2 x 35 quarts (70 quarts)

Material: Steel; Finish: chrome; Bin: Plastic; Color: silver

Salice No.	Item No.
QPAM21235C	503.00.523

**Supplied With**  
Mounting screws  
Mounting instructions



**Replacement Bins**

Material: Plastic; Color: silver

Capacity	Item No.
32 quarts	503.00.590
35 quarts	503.00.591

Dimensional data not binding. We reserve the right to alter specifications without notice.

Dimensions in mm  
Inches are approximate