

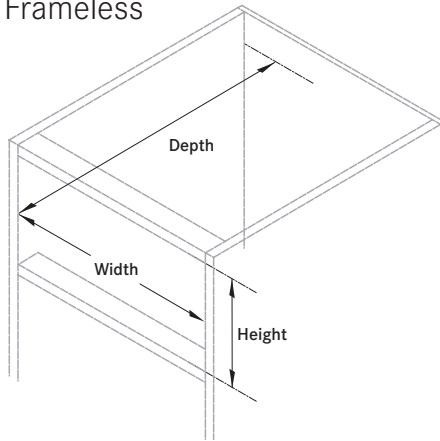
for Dynapro 2-D drawer slide

Installation Instructions

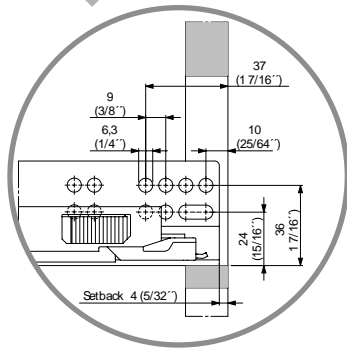
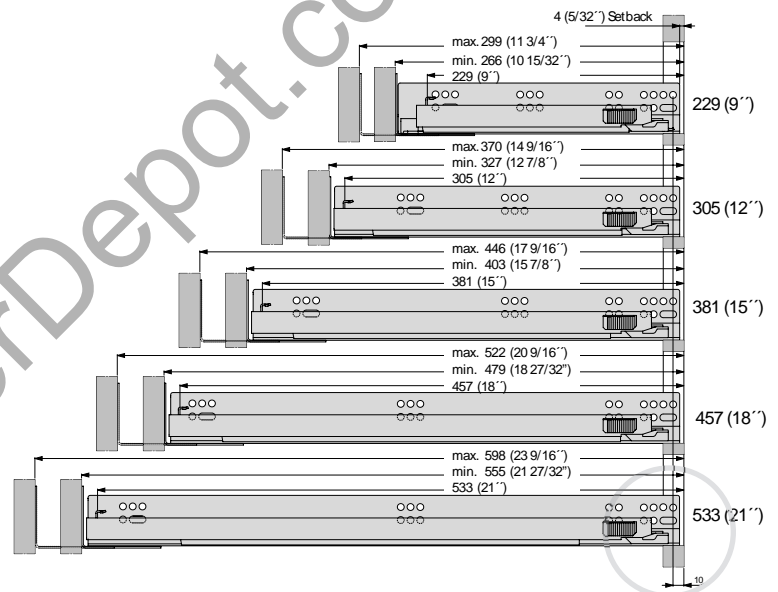
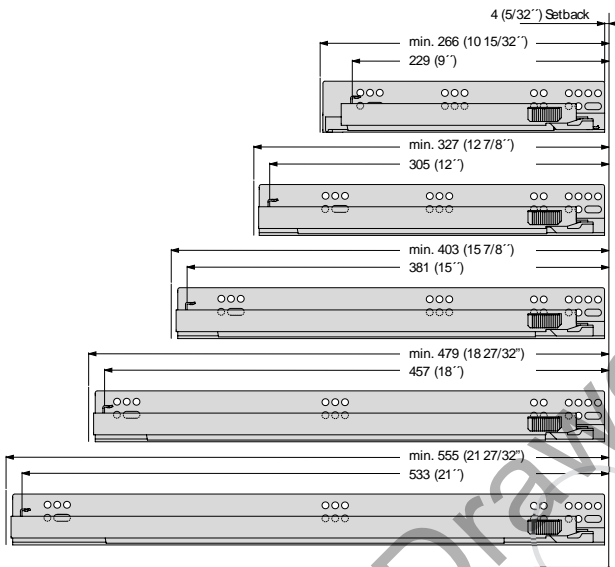
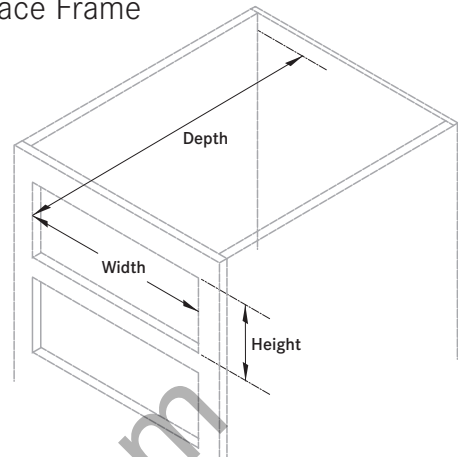
1. Determine the interior cabinet depth and choose the right slide.

Measure from outside of the face frame or outside of the side panel to the cabinet back / cross stretcher. Refer to the charts below to choose the correct frameless or face frame slide. Drawer box length will correspond.

Frameless



Face Frame



Note

Attaching the cabinet members:

The recommendations for screws are guidelines only. Installers need to ensure that the cabinet wall is adequate.