

# CLIP 100° hinges



CLIP top/CLIP



### Features

- 100° opening angle
- Three-dimensional adjustment
- All metal hinge, nickel plated
- Available with INSERTA tool-free attachment

Cover caps  
Mounting plates

**page 31**  
**pages 47-52**

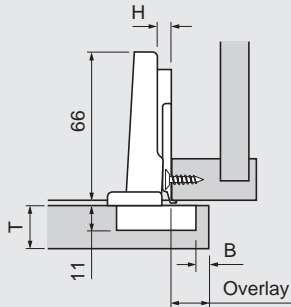
### Minimum Reveal

Minimum reveal table						
0.5	0.9	1.1	1.4	2.3	3.6	<b>3</b>
0.5	0.8	1.0	1.3	2.0	3.3	<b>4</b>
0.4	0.8	1.0	1.2	1.8	3.0	<b>5</b>
0.4	0.8	.9	1.1	1.7	2.8	<b>6</b>
<b>16</b>	<b>18</b>	<b>19</b>	<b>20</b>	<b>22</b>	<b>24</b>	<b>B</b>
T Door thickness						Bore

Cross-reference the door thickness and bore distance to assure that doors won't bind when opened.

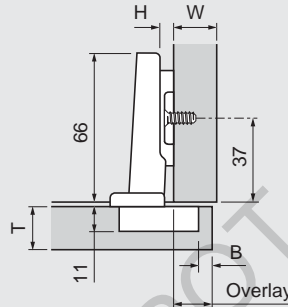
### Frame cabinet applications

#### Overlay door



### Panel cabinet applications

#### Overlay door



### Straight-arm hinges

	Self close	Free swing
Screw-on	<b>71M2550</b>	<b>70M2550.TL</b>
Press-in	<b>71M2580</b>	<b>70M2580.TL</b>
INSERTA	<b>71M2590B</b>	-

Overlay table						
0	14	15	16	17	9	20
3	11	12	13	14	12	23
4.5	9.5	10.5	11.5	12.5	13.5	24.5
6	8	9	10	11	15	26
9	5	6	7	8	18	29
<b>H</b>	<b>3</b>	<b>4</b>	<b>5</b>	<b>6</b>	<b>P</b>	<b>S</b>
Plate	B Bore distance				Clearances	

11 fixed distance

**NOTE:** 4.5 plate only available for face frame, 9 plate only available for panel cabinets

### Half-cranked hinges (9.5 mm)

	Self close	Free swing
Screw-on	<b>71M2650</b>	<b>70M2650.TL</b>
Press-in	<b>71M2680</b>	<b>70M2680.TL</b>
INSERTA	<b>71M2690B</b>	-

Overlay table						Partial overlay	
0	4.5	5.5	6.5	7.5	18.5	30	
<b>H</b>	<b>3</b>	<b>4</b>	<b>5</b>	<b>6</b>	<b>P</b>	<b>S</b>	
Plate	B Bore distance				Clearances		

1.5 fixed distance

Reveal table							Twin overlay	
0	7	5	3	1	16	18.5	30	
	10	8	6	4	19			
	13	11	9	7	22			
<b>H</b>	<b>3</b>	<b>4</b>	<b>5</b>	<b>6</b>	<b>W</b>	<b>P</b>	<b>S</b>	
Plate	B Bore distance				Panel	Clearances		

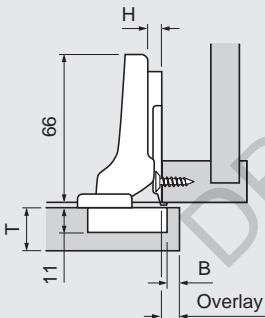
### Full-cranked hinges (18 mm)

	Self close	Free swing
Screw-on	<b>71M2750</b>	<b>70M2750.TL</b>
Press-in	<b>71M2780</b>	<b>70M2780.TL</b>
INSERTA	<b>71M2790B</b>	-

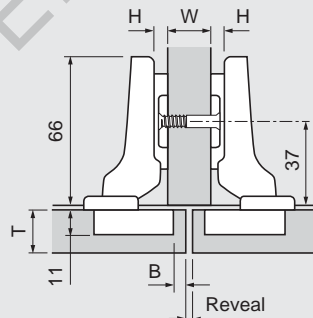
Reveal table						
0	4	3	2	1	27	38
<b>H</b>	<b>3</b>	<b>4</b>	<b>5</b>	<b>6</b>	<b>P</b>	<b>S</b>
Plate	B Bore distance				Clearances	

- 7 fixed distance

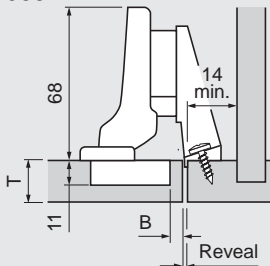
### Partial overlay door



### Twin overlay doors

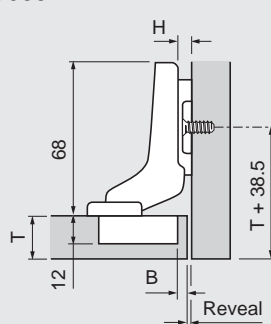


### Inset door



**NOTE:** For this application use a half-cranked hinge from above and mounting plate 175H5030.21

### Inset door



For more information on using this section see page 5.

All dimensions in millimeters.

Subject to technical modifications without notice. © 2008