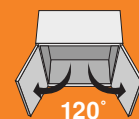


CLIP top 120° hinges



Features

- 120° opening angle
- Three-dimensional adjustment
- All metal hinge, nickel plated
- Available with INSERTA tool-free attachment

Cover caps
Mounting plates

page 31
pages 47-52

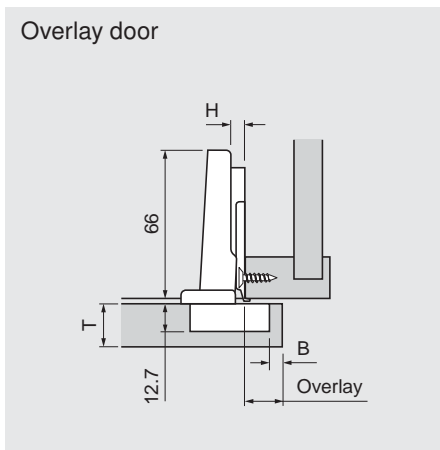
Minimum Reveal

Minimum reveal table					
1.2	1.7	2.0	2.4	3.3	3
1.2	1.7	2.0	2.3	3.1	4
1.1	1.6	1.9	2.2	3.0	5
1.1	1.6	1.9	2.2	2.9	6
16	18	19	20	22	B
T Door thickness					Bore

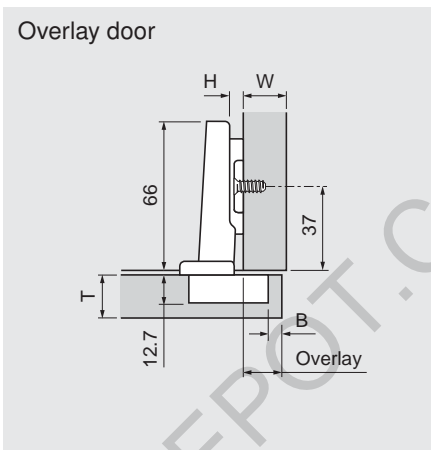
Cross-reference the door thickness and bore distance to assure that doors won't bind when opened.

For door thickness greater than 22 mm trial application recommended or use Thick door hinge (page 18).

Frame cabinet applications



Panel cabinet applications



See back cover fold out for more specifications →

Straight-arm hinges

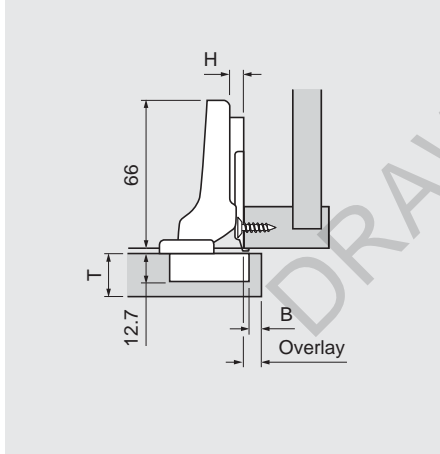
	Self close	Free swing
Screw-on	71T5550	70T5550.TL
Press-in	71T5580	70T5580.TL
Expando	71T558E	-
INSERTA	71T5590B	70T5590BTL

Overlay table					
0	14	15	16	17	11.5 20.5
3	11	12	13	14	14.5 23.5
4.5	9.5	10.5	11.5	12.5	16 25
6	8	9	10	11	17.5 26.5
9	5	6	7	8	20.5 29.5
H	3	4	5	6	P S
Plate	B Bore distance				Clearance

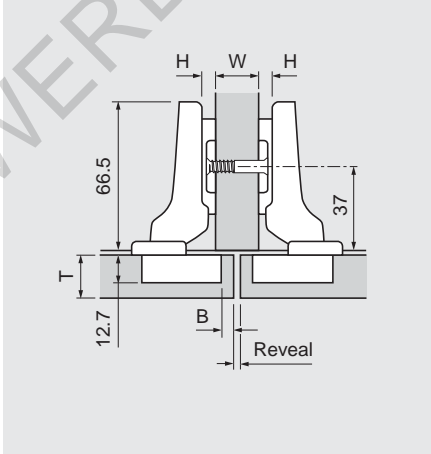
NOTE:
4.5 plate only available for face frame, 9 plate only available for panel cabinets

11 fixed distance

Partial overlay door



Twin overlay doors



Half-cranked hinges (9.5 mm)

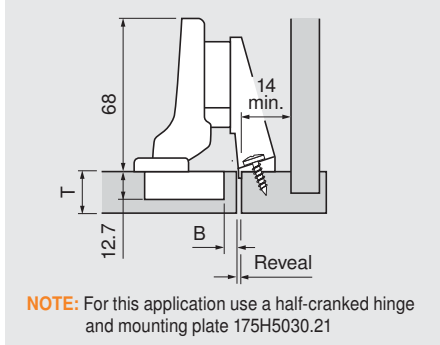
	Self close	Free swing
Screw-on	71T5650	70T5650.TL
Press-in	71T5680	70T5680.TL
INSERTA	71T5690B	70T5690BTL

Overlay table					
0	4.5	5.5	6.5	7.5	21.5 30
H	3	4	5	6	P S
Plate	B Bore distance				Clearances

1.5 fixed distance

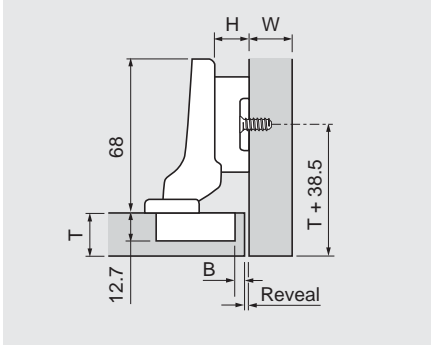
Reveal table					
0	7	5	3	1	16 21.5 30
	10	8	6	4	19 22
	13	11	9	7	
H	3	4	5	6	W P S
Plate	B Bore distance				Clearances

Inset door



NOTE: For this application use a half-cranked hinge and mounting plate 175H5030.21

Inset door



Half-cranked hinges (9.5 mm)

	Self close	Free swing
Screw-on	71T5650	70T5650.TL
Press-in	71T5680	70T5680.TL
INSERTA	71T5690B	70T5690BTL

Reveal table					
9	4.5	3.5	2.5	1.5	30.5 39
H	3	4	5	6	P S
Plate	B Bore distance				Clearances

-7.5 fixed distance

For more information on using this section see page 5.

All dimensions in millimeters.

Subject to technical modifications without notice. © 2008