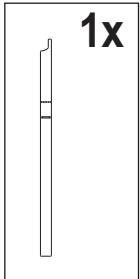
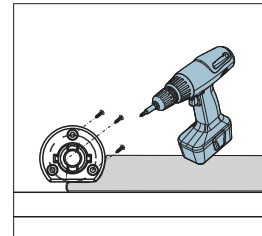
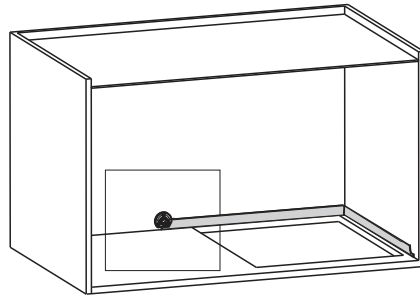


9

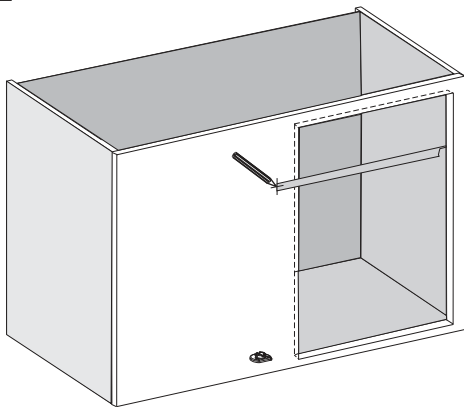
## Using the installation gauge



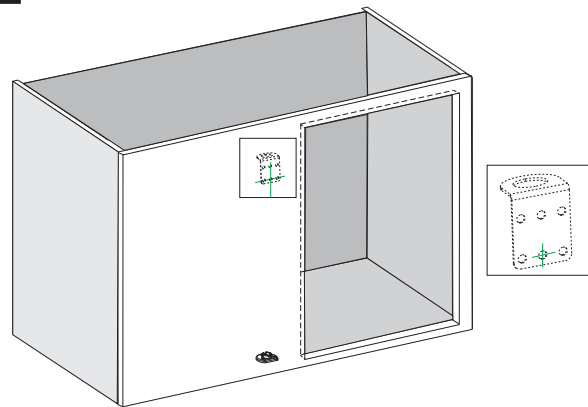
1



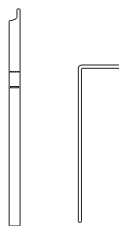
2



5

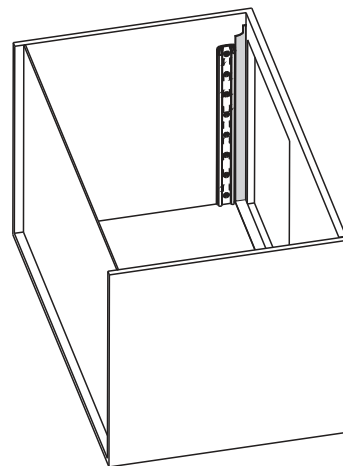


3



bend over the gauge  
at perforation  
if needed !

6



4

