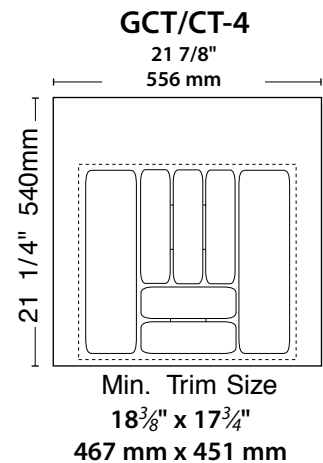
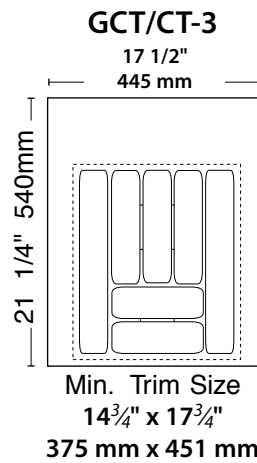
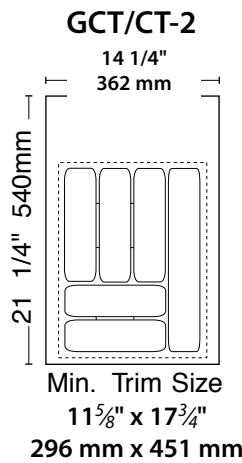
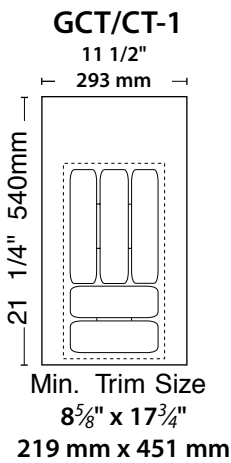


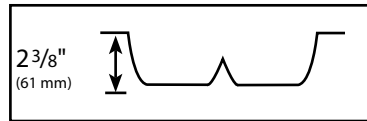
Get rid of cluttered drawers with Rev-A-Shelf's Cutlery Trays. The CT/GCT Series is available in four styles and four size variations with rubberized polystyrene to allow easy trimming for a perfect fit in any drawer. This single drawer insert is available in glossy or textured finish and white, almond or metallic silver colors.



DRAWER ACCESSORIES
REV-A-SHELF Accessible Storage



**GCT DENOTES GLOSSY FINISH.
CT DENOTES TEXTURE FINISH.
GLOSSY AVAILABLE IN WHITE & SILVER**



NOTE: ALL CUTLERY AND UTILITY TRAYS ARE NOW 2 3/8" (61 mm) HIGH.

PRODUCT #S	DESCRIPTION	TRAY PRODUCT DIMENSIONS	MINIMUM TRIM PRODUCT DIMENSIONS	FINISH	SET PER CARTON	WEIGHT PER CARTON	SUGGESTED LIST PRICE W/A	SUGGESTED L.P. SILVER
Polymer Cutlery Tray					Individual Pack			
CT-1*-52	Cutlery Tray	11 1/2" (293 mm)W x 21 1/4" (540 mm)D	8 5/8" (219 mm)W x 17 3/4" (451 mm)D	Polymer Trays	1	2 lbs.	\$14.05	\$19.00
CT-2*-52	Cutlery Tray	14 1/4" (362 mm)W x 21 1/4" (540 mm)D	11 5/8" (296 mm)W x 17 3/4" (451 mm)D	Polymer Trays	1	2 lbs.	\$15.50	\$22.91
CT-3*-52	Cutlery Tray	17 1/2" (445 mm)W x 21 1/4" (540 mm)D	14 3/4" (375 mm)W x 17 3/4" (451 mm)D	Polymer Trays	1	3 lbs.	\$18.15	\$26.10
CT-4*-52	Cutlery Tray	21 7/8" (556 mm)W x 21 1/4" (540 mm)D	18 3/8" (467 mm)W x 17 3/4" (451 mm)D	Polymer Trays	1	3 lbs.	\$19.15	\$30.45
Polymer Cutlery Tray					Bulk Pack			
CT-1*-10	Cutlery Tray	11 1/2" (293 mm)W x 21 1/4" (540 mm)D	8 5/8" (219 mm)W x 17 3/4" (451 mm)D	Polymer Trays	10	12 lbs.	\$12.20 ea.	N/A
CT-2*-20	Cutlery Tray	14 1/4" (362 mm)W x 21 1/4" (540 mm)D	11 5/8" (296 mm)W x 17 3/4" (451 mm)D	Polymer Trays	20	27 lbs.	\$12.45 ea.	N/A
CT-3*-20	Cutlery Tray	17 1/2" (445 mm)W x 21 1/4" (540 mm)D	14 3/4" (375 mm)W x 17 3/4" (451 mm)D	Polymer Trays	20	37 lbs.	\$14.65 ea.	N/A
CT-4*-10	Cutlery Tray	21 7/8" (556 mm)W x 21 1/4" (540 mm)D	18 3/8" (467 mm)W x 17 3/4" (451 mm)D	Polymer Trays	10	25 lbs.	\$15.10 ea.	N/A

NOTES:

All Trays Heights are 2 3/8" (61 mm)

* Product available in three colors: (W) White, (A) Almond & (S) Glossy Metallic Silver.

Add "G" to beginning of part number to designate Glossy White finish. **Silver trays come standard Glossy!**

Trays can be ordered trimmed to your specifications for an additional charge.

Ships with a clear protective coating. Peel off before use.