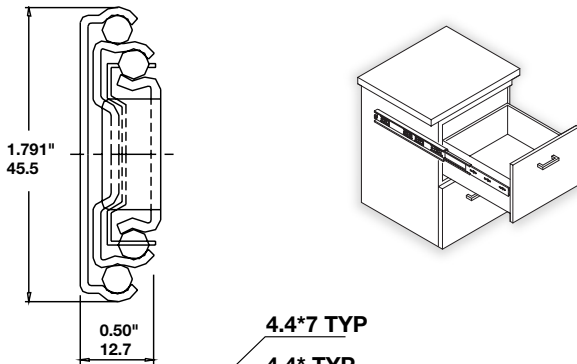


**DATE :** 1/15/05  
**SUBJECT :** Ball bearing slide  
**PRODUCT :** MA4567

Available sizes: 10" - 28" in 2" increments.



Slide Length mm	Drawer Member Travel mm	Load Rating LBS.
250 (10")	254	70
300 (12")	305	105
350 (14")	356	110
400 (16")	406	105
450 (18")	457	100
500 (20")	508	95
550 (22")	559	90
600 (24")	610	85
650 (26")	660	80
700 (28")	711	70



**Product Description:**

Side mount ball bearing full extension telescopic runner



**Target Market:**

Closet and Home Office

**Application:**

Suitable for 3 or 4 sided drawer boxes  
 Side clearance of the system is 12.7 mm

**Product Presentation/Features:**

**Function:** Full extension ball bearing runner with 100 lbs. load capacity dynamic

**Material:** Galvanized stamped steel with high precision ball bearings

**Finish:** Galvanized roll formed steel

**Box quantity:** 15 sets per box

**Face Frame Application:**

Available, with use of steel rear mount bracket (shown below)

