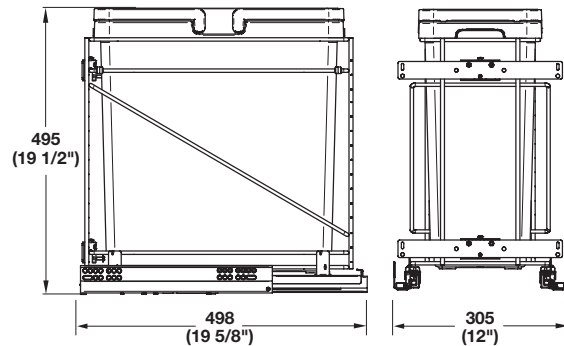
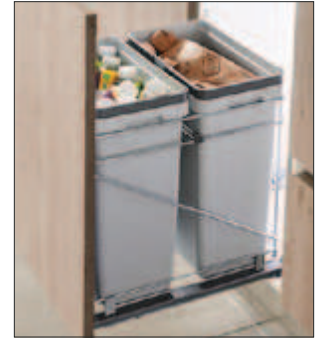
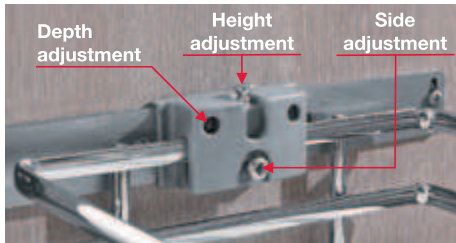


**Salice Pull-Out Bottom Mount**

- Bottom or side mount
  - Full extension
  - Soft close
  - Easy installation with 4 screws
  - Waste bins feature integrated handles for easy removal
  - Door-mount brackets and clip handle included
- Weight capacity: 75 lbs.

Door-mount bracket patented system features 3 way adjustability for alignment of the cabinet door: height: (+/-2 mm), side (+/-3 mm), depth (+/-4 mm)

- Easy installation with 2 screws
- Suitable for standard and five piece doors
- Adjustment via #2 pozi driver



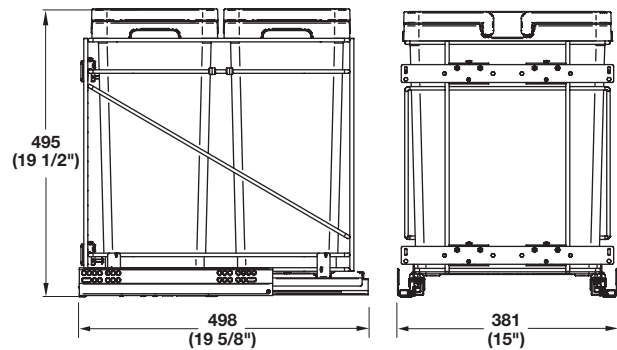
**Single Bin Unit**

For 12" opening  
W x D x H: 305 x 498 x 495 mm (12" x 19 5/8" x 19 1/2")  
Capacity: 35 quarts

Material: Steel; Finish: chrome; Bin: Plastic: silver

Salice No.	Item No.
QPAM12135C	503.00.520

**Supplied With**  
Mounting screws  
Mounting instructions



**Double Bin Unit**

For 15" opening  
W x D x H: 381 x 498 x 495 mm (15" x 19 5/8" x 19 1/2")  
Capacity: 2 x 32 quarts (64 quarts)

Material: Steel; Finish: chrome; Bin: Plastic: silver

Salice No.	Item No.
QPAM15228C	503.00.521

**Supplied With**  
Mounting screws  
Mounting instructions

Dimensions in mm  
Inches are approximate