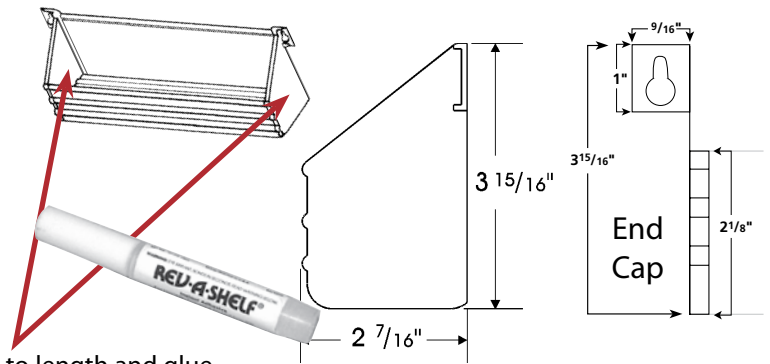


6551 SERIES

36" SINK FRONT (TIP-OUT) TRAYS

Designed for custom projects, the extruded polymer tip-out/spice tray is available in 36" or 72" sizes that can be trimmed to the desired length. This versatile tray includes molded polymer end caps with key-shaped holes for easy removal and cleaning. Simply cut the tray to the desired size, attach the end caps with the adhesive provided and install on the false front panel. The 6551 Series can be used as a tip-out tray or a spice rack and is available in white or almond.



Custom cut trays to length and glue end caps on with Rev-A-Glue. (Included)

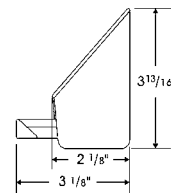
PRODUCT #s	DESCRIPTION	PRODUCT DIMENSIONS	FINISH	SET PER CARTON	WEIGHT PER CARTON	SUGGESTED LIST PRICE
36" Tray with Hinges and End Caps						Individual Pack
6551-36-**-52	1 Tray - 2 Pair Hinges & End Caps	36" (914 mm)W x 2 7/16" (62 mm)D x 3 15/16" (100 mm)H	Polymer Trays	1	2 lbs.	\$39.30
6551-36-**-50	1 Tray - 1 Pair Hinges & End Caps	36" (914 mm)W x 2 7/16" (62 mm)D x 3 15/16" (100 mm)H	Polymer Trays	1	2 lbs.	\$26.70
6551-36-**-ETH	1 Tray - 1 Pair Hinges & End Caps	36" (914 mm)W x 2 7/16" (62 mm)D x 3 15/16" (100 mm)H	Polymer Trays	1	1.7 lbs.	\$32.75
Bulk Pack by Components						
6552-97-**-4	Hinges, End Caps, Inst. & Adhesive			40 Pr.	15.5 lbs.	\$12.90 pr.
6552-ETH-**-10	Hinges, End Caps, Inst. & Adhesive			10 Pr.	4.1 lbs.	\$15.10 pr.
6571-36-**-4	Trays ONLY	36" (914 mm)W x 2 7/16" (62 mm)D x 3 15/16" (100 mm)H	Polymer Trays	20	19 lbs.	\$12.75 ea.
6571-72-**-4	Trays ONLY	72" (1829 mm)W x 2 7/16" (62 mm)D x 3 15/16" (100 mm)H	Polymer Trays	20	35.4 lbs.	\$30.00 ea.

Components for Tip-Out or Spice Tray Applications						
ST-97-**-4	End Caps, Screws			40 Pr.	3.8 lbs.	\$7.10 pr.
6571-60-52	Tube of Adhesive	2 Gram		1	.1 lbs.	\$5.65
6571-61-52	Bottle of Adhesive	1 Ounce		1	.1 lbs.	\$29.85

NOTES:
 6552 Series End cap/Hinge sets are individually poly bagged, bulk packed.
 Sink Front Trays can also be installed into Vanity Sink Base Cabinets! ** Available colors: 11 White, 15 Almond

6561 SERIES

FALSE FRONT TIP-OUT TRAYS WITH TAB STOPS



If you are looking for an affordable alternative to the conventional tray systems, try our polymer tip-out trays with tab stops. The 6562 Series installs easily with standard hinges and features high-resistant tabs to prevent easy breaking. The Sink Front Tip-Out Trays With Tab Stops are available in 11" and 14" widths and white or almond colors.

PRODUCT #s	DESCRIPTION	PRODUCT DIMENSIONS	FINISH	SET PER CARTON	WEIGHT PER CARTON	SUGGESTED LIST PRICE
36" Tray with Hinges and End Caps						Individual Pack
6562-11-**-52	Two 11" Trays with Tab Stops	11" (280 mm)W x 2 1/8" (54 mm)D x 3 13/16" (97 mm)H	Polymer Trays	1	.85 lbs.	\$13.35
6562-14-**-52	Two 14" Trays with Tab Stops	14" (360 mm)W x 2 1/8" (54 mm)D x 3 13/16" (97 mm)H	Polymer Trays	1	.9 lbs.	\$14.05
Bulk Pack by Components						
6561-11-**-4	Forty 11" Trays with Tab Stops	11" (280 mm)W x 2 1/8" (54 mm)D x 3 13/16" (97 mm)H	Polymer Trays	40 Trays	15.5 lbs.	\$5.20 ea.
6561-14-**-4	Forty 14" Trays with Tab Stops	14" (360 mm)W x 2 1/8" (54 mm)D x 3 13/16" (97 mm)H	Polymer Trays	40 Trays	20 lbs.	\$5.20 ea.

NOTES:
 ** Product available in two colors: 11 White & 15 Almond

