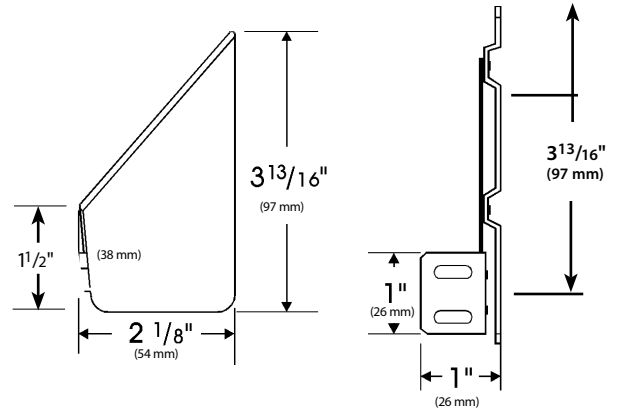


6572/6581/6591 SERIES

SINK FRONT (TIP-OUT) TRAYS

Rev-A-Shelf's most popular Sink Front Tip-Out Tray Set, the 6572 Series includes one conventional open tray, one accessory tray with ring holder and soap dish, and 2 pairs of Self-Holdin[®] hinges. The 6572 Series is made of high-impact polystyrene and is available in 11" or 14" sizes in white or almond. Trays can be purchased individually without hinges in a bulk 40-tray pack.



SINK & BASE ACCESSORIES

Rev-A-Shelf
Accessible Storage



6572 White



Standard Tray (6581 White)



Ring Post

Accessory Tray (6591 White)

PRODUCT #s	DESCRIPTION	PRODUCT DIMENSIONS	FINISH	SET PER CARTON	WEIGHT PER CARTON	SUGGESTED LIST PRICE
False Front Tip-Out Tray System (Std./Acc.)						Individual Pack
6572-11-**-52	Std/Acc Trays with Hinges	11" (280 mm)W x 2 1/8" (54 mm)D x 3 13/16" (97 mm)H	Polymer Trays	1	2 lbs.	\$26.95
6572-14-**-52	Std/Acc Trays with Hinges	14" (356 mm)W x 2 1/8" (54 mm)D x 3 13/16" (97 mm)H	Polymer Trays	1	2.3 lbs.	\$27.25
False Front Tip-Out Tray System (Std./Acc.)						Bulk Pack
6572-11-**-4	Std/Acc Trays with Hinges	11" (280 mm)W x 2 1/8" (54 mm)D x 3 13/16" (97 mm)H	Polymer Trays	20	26 lbs.	\$24.95 ea.
6572-14-**-4	Std/Acc Trays with Hinges	14" (356 mm)W x 2 1/8" (54 mm)D x 3 13/16" (97 mm)H	Polymer Trays	20	29 lbs.	\$25.10 ea.
False Front Tip-Out Trays						Bulk Pack
6581-11-**-4	Standard Trays	11" (280 mm)W x 2 1/8" (54 mm)D x 3 13/16" (97 mm)H	Polymer Tray	40 Trays	12.1 lbs.	\$5.65 ea.
6581-14-**-4	Standard Trays	14" (356 mm)W x 2 1/8" (54 mm)D x 3 13/16" (97 mm)H	Polymer Tray	40 Trays	14 lbs.	\$5.65 ea.
6591-11-**-4	Accessory Trays	11" (280 mm)W x 2 1/8" (54 mm)D x 3 13/16" (97 mm)H	Polymer Tray	40 Trays	13.1 lbs.	\$5.65 ea.
6591-14-**-4	Accessory Trays	14" (356 mm)W x 2 1/8" (54 mm)D x 3 13/16" (97 mm)H	Polymer Tray	40 Trays	15 lbs.	\$5.65 ea.

CONTAINS:

6572 Series: Each set has (1) Standard and (1) Accessory tray and 2-pair of Self-Holdin[®] hinges.

6581 Series: 40 STANDARD molded polymer sink front trays.

6591 Series: 40 ACCESSORY molded polymer trays with ring holder and soap dish.

NOTES:

For use with 2 fronts on sink base cabinet. ** Available colors: 11 White, 15 Almond