

HÄFELE

Always read the instructions carefully and completely before beginning assembly.
Remove and check contents for damage and/or missing parts.

SmartCab Side Caddy

Item# 546.32.811 Flat Storage Caddy

- *A convenient way to store your wraps or baking sheets.
- *Mounts to side of SmartCab Base Pullout.
- *Adds 3" to width of unit.
- *Use with 18" minimum cabinet.

Contents of Box 1:

- 1pc. SmartCab Side Caddy
- 1pc. Full Adjustable Shelf
- 4pc. Shelf Pin-1"
- 2pc. Mounting Bracket
- 4pc. #6x7/16 Wood Screw

You will need:

- Safety Glasses
- Tape Measure
- Screw Driver
- 3/32" Drill Bit
- Drill



Installation Instructions

STEP 1- Fully Extend SmartCab Pullout. (Note: If SmartCab pullout was installed prior to adding Side Caddy, it may need to be repositioned in Cabinet).

STEP 2- Apply Mounting Brackets to top side rail of SmartCab Pullout (Works on both left or right sides). **Position Brackets tight against end panels. mark and pre-drill 3/32" diameter holes approx 3/8" deep. Attach Brackets with the wood screws provided.** (Fig.1)

STEP 3- Hang Side Caddy by slipping down onto Mounting Brackets. (Fig.2)

STEP 4- OPTIONAL DOOR MOUNT (Note: With this option the Side Caddy Becomes Stationary. Optional: You may choose to remove interior metal shelf rails for improved access). **Remove "Z" clips from adjacent side of SmartCab Pullout. Re-install "Z" Clips to back of Side Caddy front panel utilizing the pre-bored holes. Attach Door.** (Fig-3)

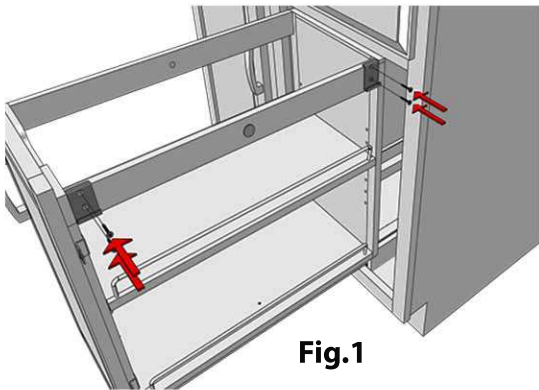


Fig.1

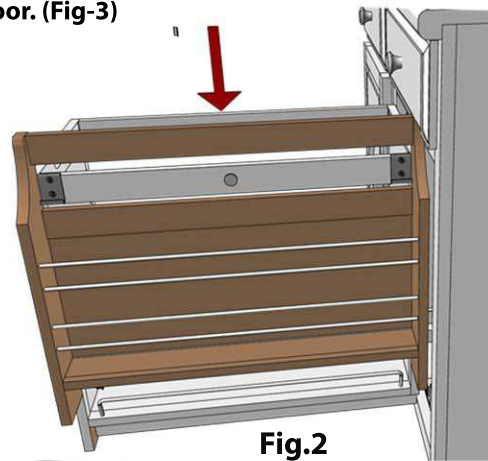


Fig.2

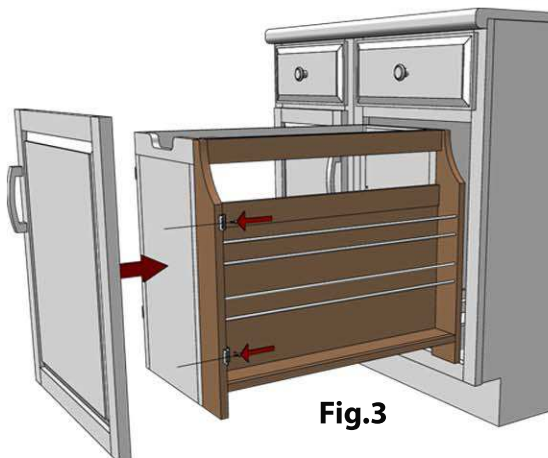


Fig.3