

CLIP top 170° hinges



Features

- 170° opening angle
- Three-dimensional adjustment
- All metal hinge, nickel plated
- Available with INSERTA tool-free attachment
- 130° angle restriction clips are available (see pages 15 and 31)

Cover caps
Mounting plates

page 31
pages 47-52

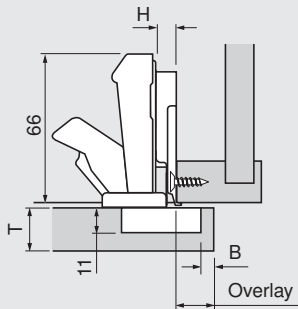
Minimum Reveal

Minimum reveal table						
0	0	0	0	0.2	2.2	3
0	0	0	0	0	1.4	4
0	0	0	0	0	0.9	5
0	0	0	0	0	0	6
0	0	0	0	0	0	7
0	0	0	0	0	0	8
16	18	19	20	22	24	B
T Door thickness						Bore

Cross-reference the door thickness and bore distance to assure that doors won't bind when opened.

Frame cabinet applications

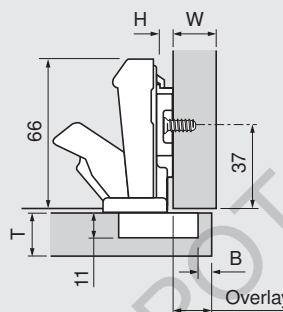
Overlay door



NOTE: 175H6xxx or 175L6600.24 recommended

Panel cabinet applications

Overlay door



Straight-arm hinges

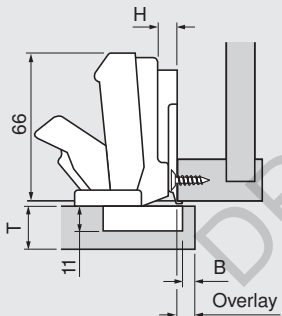
	Self close	Free swing
Screw-on	71T6550	70T6550
Press-in	71T6580	70T6580
INSERTA	71T6540B	70T6540B

Overlay table								
0	14	15	16	17	18	19	1.5	65
3	11	12	13	14	15	16	4.5	68
4.5	9.5	10.5	11.5	12.5	13.5	14.5	6	69.5
6	8	9	10	11	12	13	7.5	71
9	5	6	7	8	9	10	10.5	74
H	3	4	5	6	7	8	P	S
Plate	B Bore distance						Clearances	

11 fixed distance

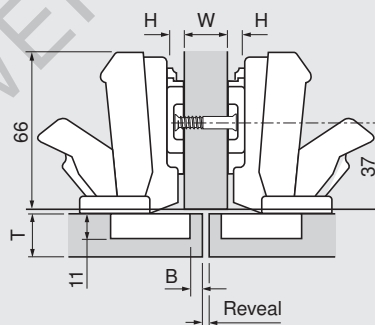
NOTE: 4.5 plate only available for face frame, 9 plate only available for panel cabinets

Partial overlay door



NOTE: 175H6xxx or 175L6600.24 recommended

Twin overlay doors



Half-cracked hinges (9.5 mm)

	Self close	Free swing
Screw-on	71T6650	70T6650
Press-in	71T6680	70T6680
INSERTA	71T6640B	-

Overlay table							Partial overlay	
0	4.5	5.5	6.5	7.5	8.5	9.5	11	75
H	3	4	5	6	7	8	P	S
Plate	B Bore distance						Clearances	

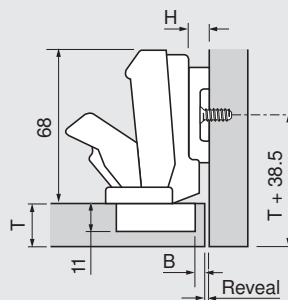
1.5 fixed distance

Reveal table							Twin overlay		
0	7	5	3	1	-	-	16	11	75
	10	8	6	4	2	0	19		
	13	11	9	7	5	3	22		
H	3	4	5	6	7	8	W	P	S
Plate	B Bore distance						Panel	Clearances	

NOTE: Inset application not possible with 170 hinges and the inset face frame adapter (175H5030.21)

NOTE: See next page for special thick door requirements

Inset door



Half-cracked hinges (9.5 mm)

	Self close	Free swing
Screw-on	71T6650	70T6650
Press-in	71T6680	70T6680
INSERTA	71T6640B	-

Reveal table								
9	4.5	3.5	2.5	1.5	0.5	-	20	84
H	3	4	5	6	7	8	P	S
Plate	B Bore distance						Clearances	

- 7.5 fixed distance

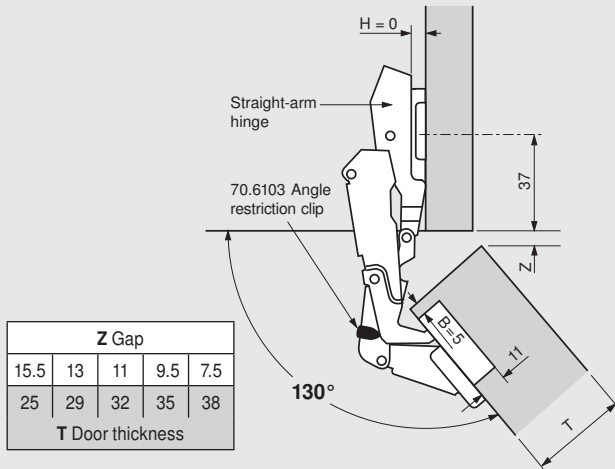


CLIP top 170° special applications

CLIP top/CLIP

Applications

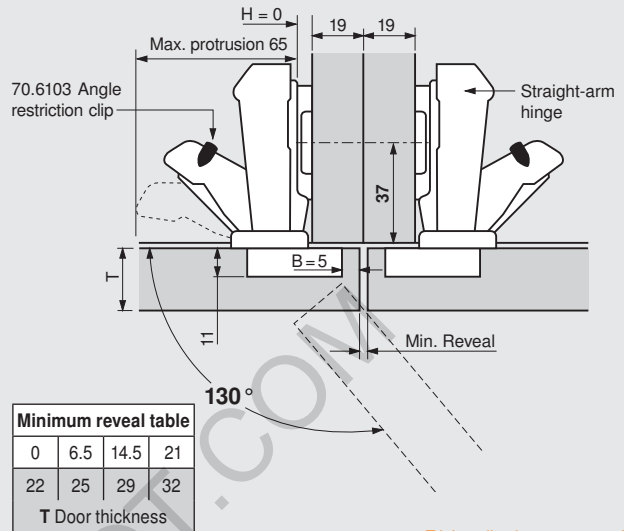
Thick door application



Note: Be aware of door weight, see page 10 for number of hinges per door.

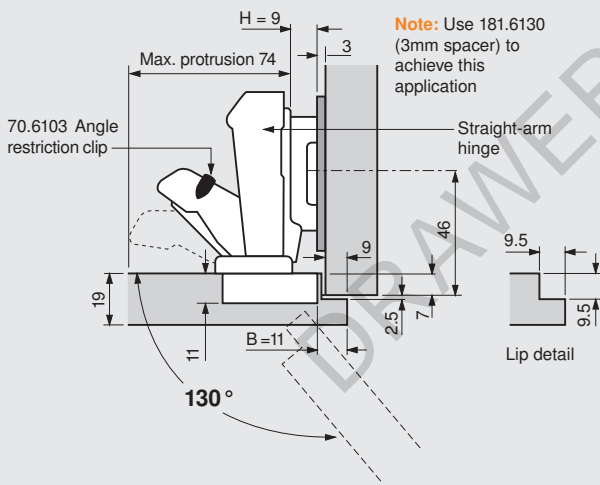
Trial application recommended

Thick door - twin application



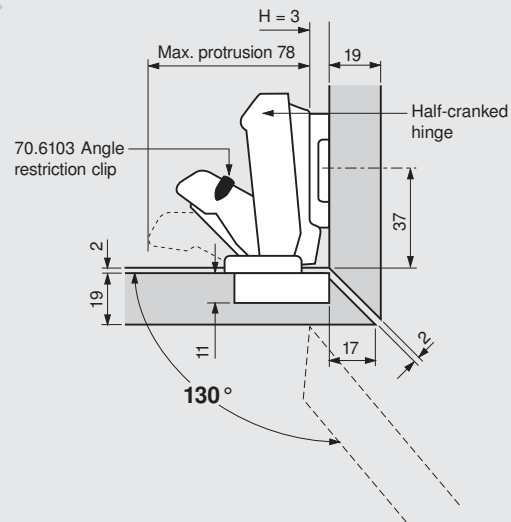
Trial application recommended

Lip door application



Trial application recommended

Mitered corner door application



Trial application recommended

NOTE: These applications can be achieved in face frame cabinets by blocking out behind the frame.

Angle restriction clip



- Reduces opening angle of the CLIP top and CLIP 170° to 130°
- See page 31
- Black nylon

Angle restriction clip

70.6103

3 mm spacer



- Mounts under CLIP plates
- Reduces overlay by 3 mm
- Brown nylon

3 mm spacer

181.6130

