



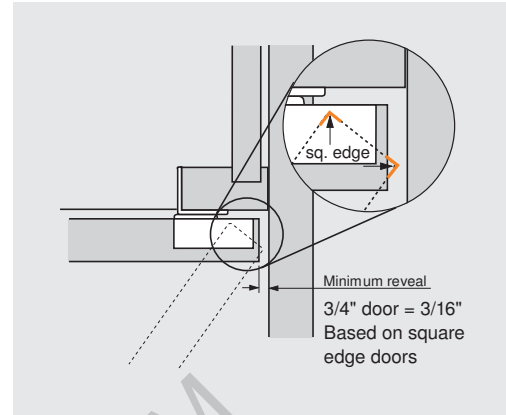
COMPACT 33 hinges



Features

- Zinc die-cast hinge and mounting plates
- 110° opening angle
- Two piece assembly
- Edge or face mount
- 1/2" cup depth
- $\pm 9/64$ " height adjustment
- $-1/8$ " side adjustment only

Minimum reveal



General specs & installation

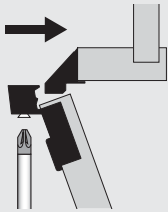
page 65

Overlay Application

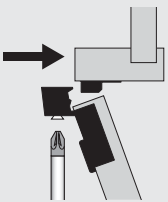
Screw-on	33.3600
Press-in 	33.3630

Attachment

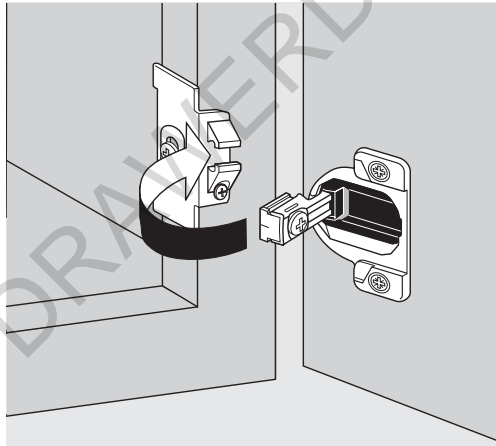
Edge mount



Face mount



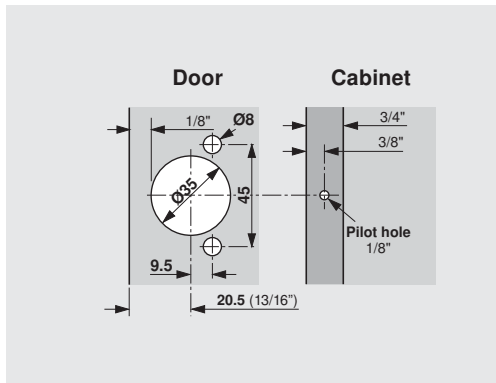
Mounting



Dimensions

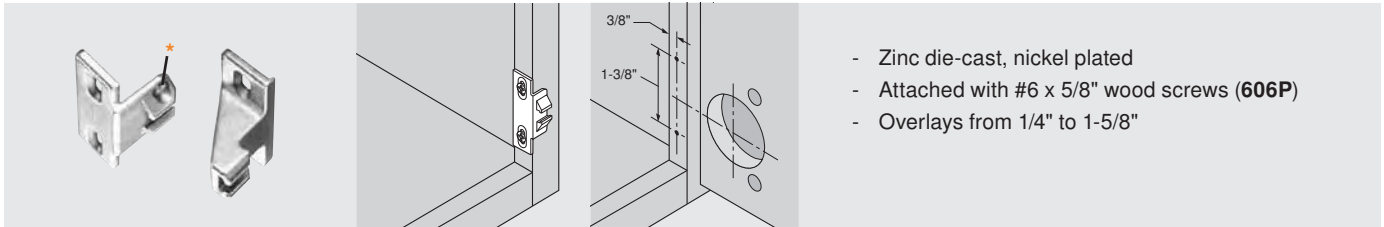
Vary by mounting plate (see page 70)

Boring pattern



COMPACT 33 mounting plates

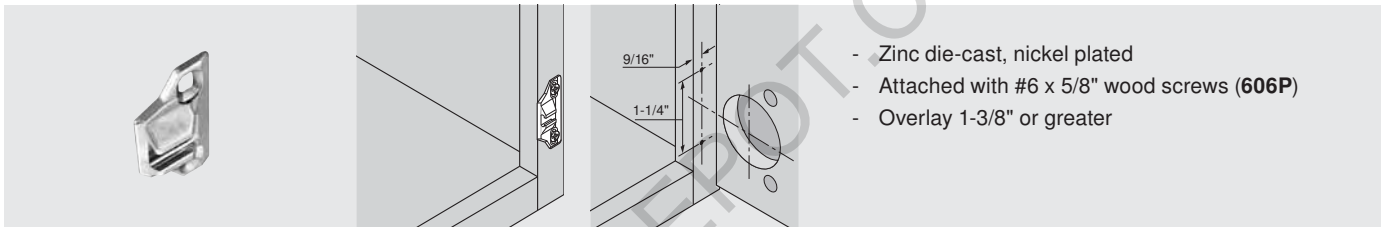
Edge mount mounting plates



- Zinc die-cast, nickel plated
- Attached with #6 x 5/8" wood screws (**606P**)
- Overlays from 1/4" to 1-5/8"

Overlays	1/4"	1/2"	5/8"	3/4"	1"
* An additional attachment screw is required on mounting plates with 1-3/8" to 1-5/8" overlays to insure stability. Install after height adjustments have been made.	130.1100.24	130.1100.23	130.1100.26	130.1100.22	130.1110.02
	1-1/8"	1-1/4"	1-3/8"	1-1/2"	1-5/8"
	130.1120.02	130.1130.02	130.1140.02	130.1150.02	130.1160

Face mount mounting plates

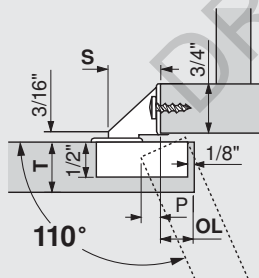


- Zinc die-cast, nickel plated
- Attached with #6 x 5/8" wood screws (**606P**)
- Overlay 1-3/8" or greater

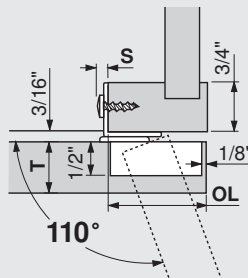
Overlays	1-3/8" +
	133.0240

Mounting plate specifications

Minimum overlay of 1/4" using a 130.1100.24 edge mount plate



Maximum overlay of 1-5/8" using a 130.1160 edge mount plate



Hinge arm protrusion (S), and door protrusion (P), for edge mount mounting plates

Mounting Plate	OL	S	P
130.1100.24	1/4"	1-1/8"	1/2"
130.1100.23	1/2"	7/8"	1/4"
130.1100.26	5/8"	3/4"	1/8"
130.1100.22	3/4"	5/8"	0
130.1110.02	1"	3/8"	0
130.1120.02	1-1/8"	1/4"	0
130.1130.02	1-1/4"	3/16"	0
130.1140.02	1-3/8"	3/16"	0
130.1150.02	1-1/2"	3/16"	0
130.1160	1-5/8"	3/16"	0

COMPACT