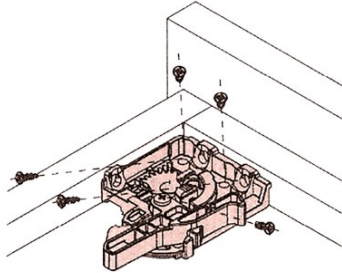


# TDD 8000 / 8800 Series

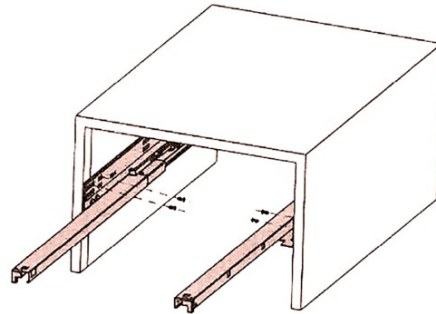


## Drawer Assembly and removal (with locking device)

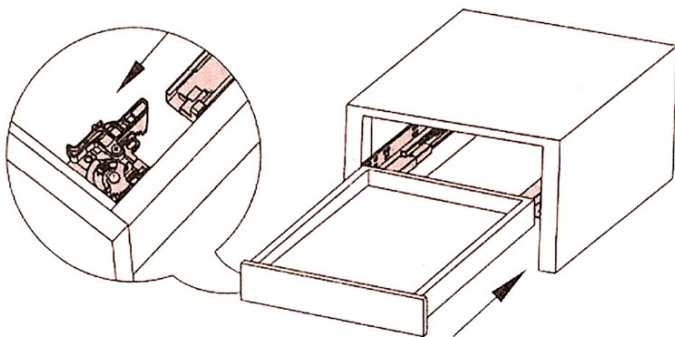
1. Fix the locking device onto the drawer bottom and fix the rear bracket onto the cabinet back.



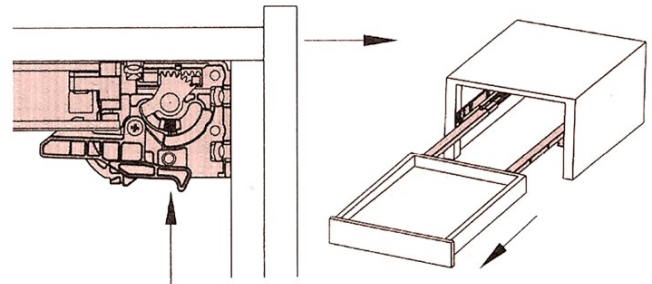
2. Fix the slide onto the cabinet.



3. Lay the drawer bottom onto the slide then push the drawer into the cabinet.



4. For removal, hold the handle and pull out the drawer.



## Drawer installation dimensions

## Rear mounting bracket preparation

