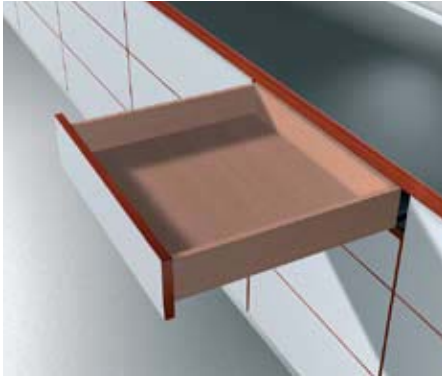


# TIP-ON for TANDEM plus

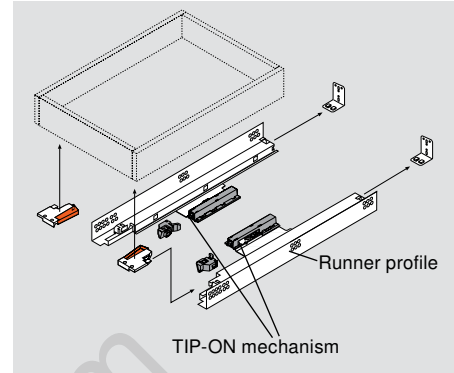
## Overlay application



## Description

- Designed for drawers without pulls
- Opens the drawer with just a touch of the drawer front
- Tool-free attachment of mechanism and trigger to the cabinet profile
- Performs best with loads up to 45 lb
- Only works with TANDEM plus 562 H/F series runners without BLUMOTION

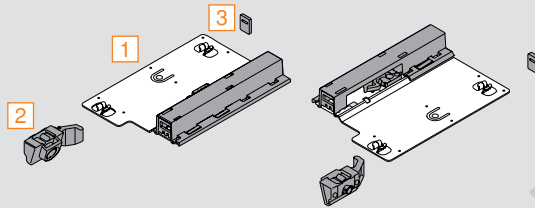
## Basic components



## Components

### TIP-ON set

One set required per drawer



### Set includes:

- 1 TIP-ON mechanisms (qty 2)
- 2 Adjustable triggers (qty 2)
- 3 Rear hook spacers (qty 2)

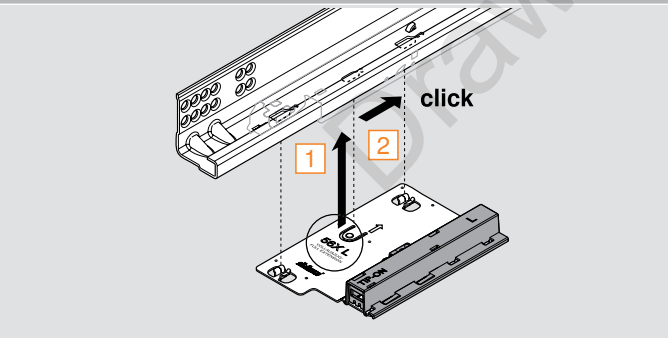
Part no.

TIP-ON set

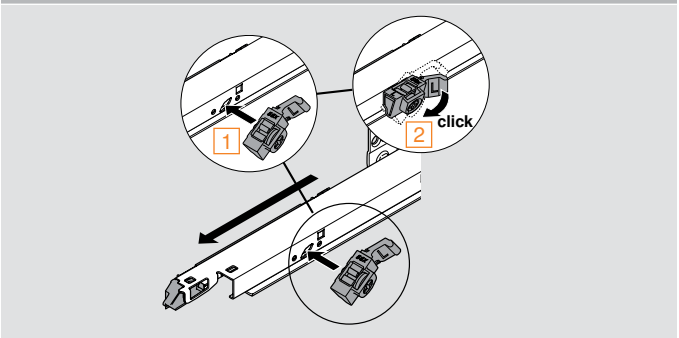
**T55.7150**

## Assembly and adjustment

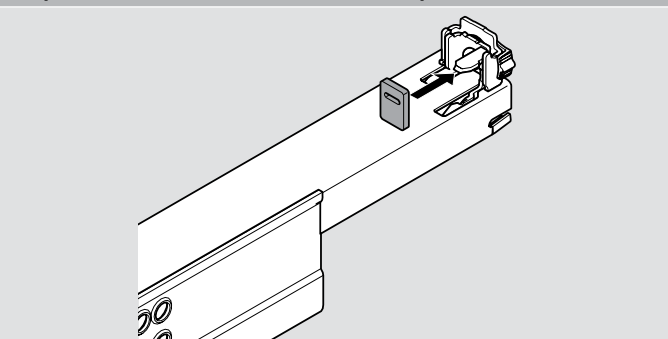
### Step one — Attachment of mechanism



### Step two — Attachment of trigger

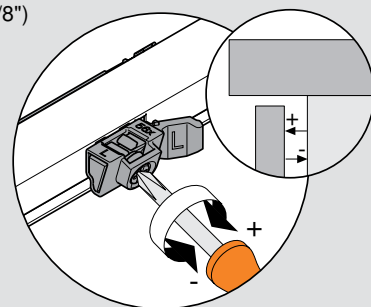


### Step three — Attachment of rear hook spacer



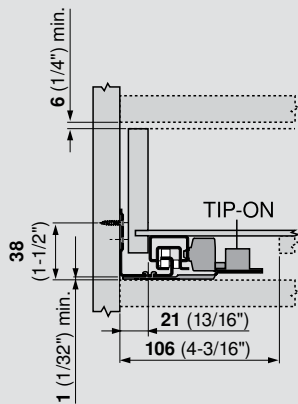
### Step four — Adjustment

Trigger allows in  $-3$  (1/8") and out  $+2$  (1/16") adjustment of the drawer front.

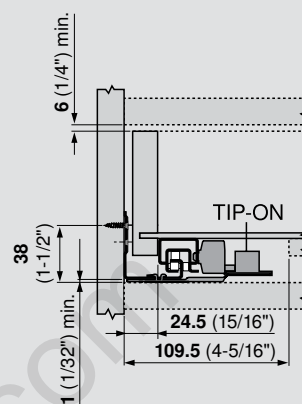


# Installation

## TANDEM 562H dimensions

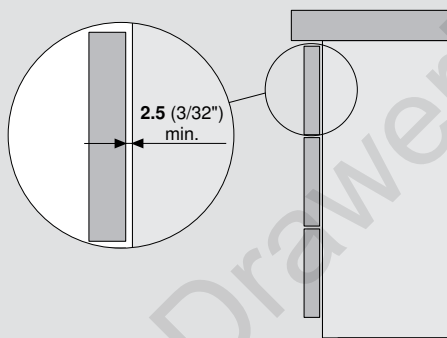


## TANDEM 562F dimensions



**NOTE:** Minimum cabinet opening for TIP-ON is 229 (9")

## Minimum front gap



## Drawer back preparation

