

# Hinge assembly



## BLUMOTION for doors boring template

- For pre-boring BLUMOTION 970.1002
- For all BLUMOTION adapter plates
- 10mm diameter bushing for panel edge boring
- Vertical guides for setting height

### Includes:

- BLUMOTION for doors template
- Ø10mm stop collar
- Ø5mm stop collar
- Ø2.5mm stop collar

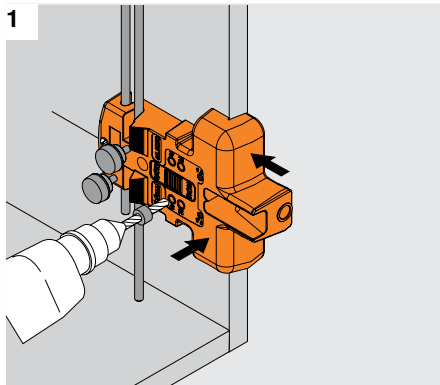
Part no.

BLUMOTION for doors template

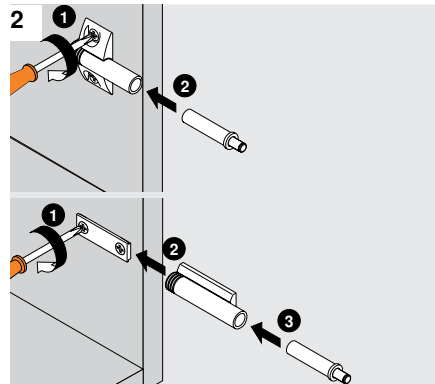
65.5000

## Using the BLUMOTION for doors template

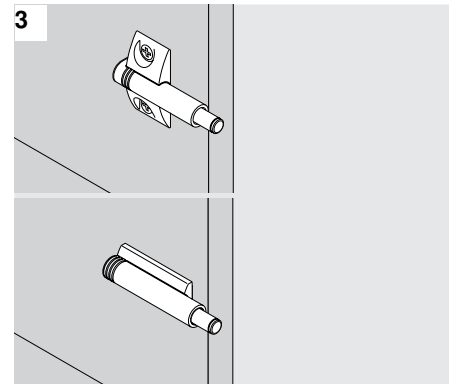
Blum also has various adapter plates for applications including double doors, 32mm line boring and face frame.



1  
Position template on marking line and use a Ø2.5mm or Ø5mm drill bit to bore into cabinet side panel for various BLUMOTION adapter plates.



2  
Depending on your mounting plate option, install adapter plate and insert BLUMOTION for doors.



3  
Installation complete.